

WARMING DRAWER
USE AND CARE GUIDE

CLEANING, MAINTENANCE, AND MORE



Contents

- 4 Safety Precautions
- 5 Warming Drawer Features
- 6 Warming Drawer Operation
- 8 Care Recommendations
- 9 Troubleshooting
- 10 Wolf Warranties

Customer Care

The model and serial number are printed on the enclosed product registration card. Both numbers are also listed on the product rating plate. Refer to page 5 for rating plate location. For warranty purposes, you will also need the date of installation and name of your authorized Wolf dealer. Record this information below for future reference.

SERVICE INFORMATION

Model Number	_____
Serial Number	_____
Date of Installation	_____
Certified Service Name	_____
Certified Service Number	_____
Authorized Dealer	_____
Dealer Number	_____

If your product ever needs attention, be sure to use a Wolf Factory Certified Service provider recommended by our customer care center, or select one from our list of providers available at wolfappliance.com/locator. All Factory Certified Service providers are carefully selected and thoroughly trained by us.

Important Note

To ensure this product is installed and operated as safely and efficiently as possible, take note of the following types of highlighted information throughout this guide:

IMPORTANT NOTE highlights information that is especially important.

CAUTION indicates a situation where minor injury or product damage may occur if instructions are not followed.

WARNING states a hazard that may cause serious injury or death if precautions are not followed.

IMPORTANT NOTE: Throughout this guide, dimensions in parentheses are millimeters unless otherwise specified.

IMPORTANT INSTRUCTIONS

GENERAL SAFETY REQUIREMENTS

- Read this use & care guide carefully before using your new warming drawer to reduce the risk of fire, electric shock or injury to persons.
- To protect against electrical shock do not immerse cord or plug in water or other liquid.
- The use of accessory attachments not recommended by the appliance manufacturer may cause injuries.
- Do not repair or replace any part of the warming drawer unless specifically recommended in literature accompanying this appliance. All service should be referred to Wolf Factory Certified Service.
- Close supervision is necessary when any appliance is used by or near children.
- Do not use outdoors (model WWD30).
- Do not use appliance for other than intended use.
- Do not touch the heating element or the interior surface of the warming drawer. These surfaces may be hot enough to burn. The inside surfaces of the warming drawer may be hot when opened.
- Do not use aluminum foil to line the warming drawer. This may cause damage to interior surfaces of the warming drawer.
- Do not heat unopened food containers, such as baby food jars and cans. Pressure build-up may cause the container to burst and cause injury.
- Do not store or use gasoline or other flammable vapors and liquids in the vicinity of this or any other appliance.
- Ensure that towels are stacked only as high as the sides of the drawer pan. Any higher may result in discoloration of the towels.
- Do not place more than 60 lb (27 kg) into the warming drawer.

⚠ WARNING

PROPOSITION 65 FOR CALIFORNIA RESIDENTS

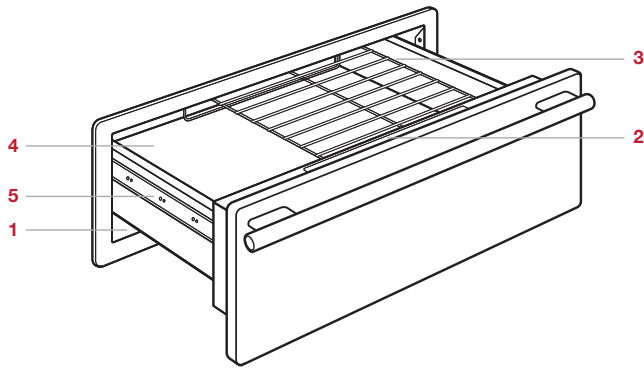
Cancer and Reproductive Harm—
www.P65Warnings.ca.gov

SAVE THESE INSTRUCTIONS

Warming Drawer Features

FEATURES

- | | |
|---|------------------------------|
| 1 | Product Rating Plate |
| 2 | Hidden Control Panel |
| 3 | Removable Rack |
| 4 | Drawer Pan |
| 5 | Full-Extension Drawer Glides |



Warming drawer

Getting Started

We know you are eager to start cooking, but before you do, please take some time to read this use & care guide. Whether you are an occasional cook or an expert chef, it will be to your benefit to familiarize yourself with the safety practices, features, operation and care recommendations of your Wolf warming drawer.

To ensure all residual oil from the manufacturing process has been removed, clean the warming drawer thoroughly with hot water and a mild detergent prior to use. Rinse and dry with a soft cloth. Refer to care recommendations on page 8.

Wolf warming drawers can be used to warm or crisp food, proof dough or warm plates or towels. Model WWD300 is approved for outdoor use.

Control Panel

The electronic control panel features touch controls and a visual display. Refer to the illustration below. The control panel is hidden when the warming drawer is closed. Open the drawer to access the control panel.

Temperature

The warming drawer features four preset temperature settings; PROOF, LOW, MED and HIGH. During preheat, the temperature display will alternate between the set point and the actual temperature. 'Lo' will appear until the temperature reaches 85°F (30°C). An audible chime indicates preheat is complete. Refer to the chart below.

IMPORTANT NOTE: When warming towels, temperature can not exceed 120°F (50°C).

Setting temperature:

- 1 Touch POWER ON/OFF.
- 2 Touch one of the PRESETS to select the preset temperature or touch TEMP UP or DOWN arrows to select the desired temperature.

TEMPERATURE

SETTING	PRESET	RANGE
PROOF	85°F (30°C)	80–110°F (25–40°C)
LOW	120°F (50°C)	80–200°F (25–95°C)
MED	160°F (70°C)	80–200°F (25–95°C)
HIGH	200°F (95°C)	80–200°F (25–95°C)

Timer

The warming drawer has a built-in timer that will automatically turn off after four hours of use. The timer can be adjusted from one minute to 24 hours.

Setting timer:

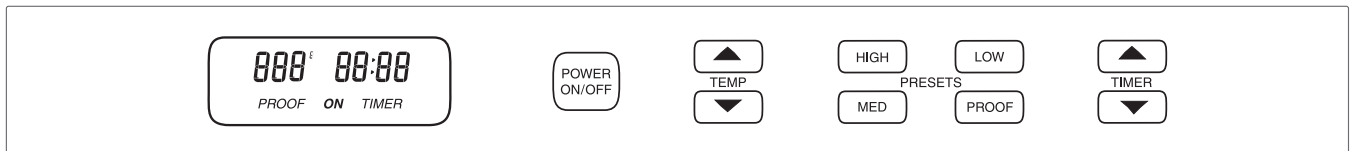
- 1 Select desired temperature.
- 2 Touch TIMER UP or DOWN arrows to select the desired time. 'TIMER' and the shut off time will appear in the display.

Custom Preset Setting

Customize a preset temperature setting using desired temperature and timing duration (one minute to 24 hours) with automatic shut off.

Setting custom preset temperature and automatic shut off:

- 1 Touch POWER ON/OFF.
- 2 Touch and hold the desired preset for 5 seconds until 'TIMER' and '4:00' appear in the display.
- 3 Touch TEMP UP or DOWN arrows to select the desired temperature.
- 4 Touch TIMER UP or DOWN arrows to select the desired automatic shut off timing duration.
- 5 Touch and hold the desired preset again for 5 seconds to save the settings.



Control panel

Extended Options

TEMPERATURE UNIT

The warming drawer temperature can be displayed in Fahrenheit or Celsius.

Adjusting temperature unit:

- 1 With the warming drawer off, touch and hold the TEMP UP and DOWN arrows for 5 seconds.
- 2 Touch TEMP UP or DOWN arrows to alternate between units.
- 3 Once desired unit is displayed, touch POWER ON/OFF.

BACKLIGHT

The warming drawer control panel has three backlight settings; off, on in Sabbath or off in Sabbath.

Adjusting backlight:

- 1 With the warming drawer off, touch and hold the TEMP UP and TIMER UP arrows for 5 seconds.
- 2 Touch TIMER UP arrow to alternate between settings.
- 3 Once desired setting is displayed, touch POWER ON/OFF.



Sabbath

This appliance is certified by Star-K to meet strict religious regulations in conjunction with specific instructions found on www.star-k.org.

Sabbath overrides the automatic shut off feature. Sabbath must be reset after a power outage.

Setting Sabbath mode:

- 1 Touch and hold POWER ON/OFF until 'Sab' appears on the control panel display.
- 2 Touch one of the PRESETS to select the preset temperature or touch TEMP UP or DOWN arrows to select the desired temperature.
- 3 To cancel, touch POWER ON/OFF.

Care Recommendations

CLEANING

Stainless steel	Use a nonabrasive stainless steel cleaner and apply with a soft lint-free cloth. To bring out the natural luster, lightly wipe surface with a water-dampened microfiber cloth followed by a dry polishing chamois. Always follow the grain of stainless steel. The stainless steel drawer pan is removable for cleaning. To remove, open drawer completely. Slide fingertips under side edges of pan, pull up and out.
Control panel	Use a spray degreaser to remove fingerprints and food soil. Spray on a cloth before wiping panel. Do not spray cleaners directly on the control panel.
Removable Rack	Clean with hot water and mild detergent or paste of baking soda and water. Towel dry.
Interior	Wipe with a soft damp cloth. Do not use abrasive or harsh cleaners or scouring pads. For heavier soil, use baking soda or a mild soap; rinse thoroughly with hot water.
Drawer Guides	Remove food crumbs from drawer guides. Wipe with a soft dry cloth.

Troubleshooting

Warming drawer does not operate.

- Verify power is on.
- Verify electrical power to warming drawer and home circuit breaker is on.

Drawer does not slide smoothly.

- Drawer is out of alignment. Fully extend the drawer and close completely to realign.
- Drawer is overloaded. Reduce weight to less than 60 lb (27 kg).
- Redistribute contents to balance load.

Excessive condensation.

- Remove liquid in drawer pan.
- Cover food with lid or aluminum foil.
- Temperature setting is too high. Use lower setting.

No heat in proof setting.

- Verify PROOF is illuminated on the control panel display.
- Room temperature may prevent thermostat from turning on.

Food dries out in proof setting.

- Cover food with lid or aluminum foil.

SERVICE

- Maintain the quality built into your product by contacting Wolf Factory Certified Service. For the name of the nearest Wolf Factory Certified Service, check the contact & support section of our website, wolfappliance.com or call Wolf customer care at 800-222-7820.
- When contacting service, you will need the model and serial number of your product. Both numbers are listed on the product rating plate. Refer to page 5 for rating plate location.
- For warranty purposes, you will also need the date of installation and name of your authorized Wolf dealer. This information should be recorded on page 3 of this guide.

Wolf Appliance Residential Limited Warranty

FOR RESIDENTIAL USE

FULL TWO YEAR WARRANTY*

For two years from the date of original installation, this Wolf Appliance product warranty covers all parts and labor to repair or replace, under normal residential use, any part of the product that proves to be defective in materials or workmanship. All service provided by Wolf Appliance under the above warranty must be performed by Wolf factory certified service, unless otherwise specified by Wolf Appliance, Inc. Service will be provided during normal business hours.

LIMITED FIVE YEAR WARRANTY

For five years from the date of original installation, Wolf Appliance will repair or replace the following parts that prove to be defective in materials or workmanship: gas burners (excludes appearance), electric heating elements, blower motors (ventilation hoods), electronic control boards, magnetron tubes and induction generators. If the owner uses Wolf factory certified service, the service provider will repair or replace these parts with the owner paying for all other costs, including labor. If the owner uses non-certified service, the owner must contact Wolf Appliance, Inc. (using the information below) to receive repaired or replacement parts. Wolf Appliance will not reimburse the owner for parts purchased from non-certified service or other sources.

TERMS APPLICABLE TO EACH WARRANTY

The warranty applies only to products installed for normal residential use. The warranty applies only to products installed in any one of the fifty states of the United States, the District of Columbia or the ten provinces of Canada. This warranty does not cover any parts or labor to correct any defect caused by negligence, accident or improper use, maintenance, installation, service or repair.

THE REMEDIES DESCRIBED ABOVE FOR EACH WARRANTY ARE THE ONLY ONES THAT WOLF APPLIANCE, INC. WILL PROVIDE, EITHER UNDER THIS WARRANTY OR UNDER ANY WARRANTY ARISING BY OPERATION OF LAW. WOLF APPLIANCE, INC. WILL NOT BE RESPONSIBLE FOR ANY CONSEQUENTIAL OR INCIDENTAL DAMAGES ARISING FROM THE BREACH OF THIS WARRANTY OR ANY OTHER WARRANTY, WHETHER EXPRESS, IMPLIED OR STATUTORY.

Some states do not allow the exclusion or limitation of incidental or consequential damages, so the above limitation or exclusion may not apply to you. This warranty gives you specific legal rights and you may also have other legal rights that vary from state to state.

To receive parts and/or service and the name of Wolf factory certified service nearest you, contact Wolf Appliance, Inc., P.O. Box 44848, Madison, WI 53744; check the contact & support section of our website, wolfappliance.com, email us at customerservice@subzero.com or call 800-222-7820.

*Stainless steel (doors, panels, handles, product frames and interior surfaces) are covered by a limited 60-day parts and labor warranty for cosmetic defects.

*Replacement filters for ventilation hood recirculating kits are not covered by the product warranty.



Wolf Appliance Outdoor Limited Warranty*

FOR RESIDENTIAL USE

FULL ONE YEAR WARRANTY**

For one year from the date of original installation, this Wolf Appliance product warranty covers all parts and labor to repair or replace, under normal residential use, any part of the product that proves to be defective in materials or workmanship. All service provided by Wolf Appliance under the above warranty must be performed by Wolf factory certified service, unless otherwise specified by Wolf Appliance, Inc. Service will be provided during normal business hours.

LIMITED FIVE YEAR WARRANTY

For five years from the date of original installation, Wolf Appliance will repair or replace the following parts that prove to be defective in materials or workmanship: stainless steel briquette trays, gas valves, drip pans, electronic control boards and electric heating elements. If the owner uses Wolf factory certified service, the service provider will repair or replace these parts with the owner paying for all other costs, including labor. If the owner uses non-certified service, the owner must contact Wolf Appliance, Inc. (using the information below) to receive repaired or replacement parts. Wolf Appliance will not reimburse the owner for parts purchased from non-certified service or other sources.

LIMITED LIFETIME WARRANTY

For the life of the product, Wolf Appliance will repair or replace the following parts that prove to be defective in materials or workmanship: all stainless steel components (excludes surface corrosion, scratches, discoloration, weather and atmospheric related staining and minor surface rust and oxidation). If the owner uses Wolf factory certified service, the service provider will repair or replace these parts with the owner paying for all other costs, including labor. If the owner uses non-certified service, the owner must contact Wolf Appliance, Inc. (using the information below) to receive repaired or replacement parts. Wolf Appliance will not reimburse the owner for parts purchased from non-certified service or other sources.

TERMS APPLICABLE TO EACH WARRANTY

The warranty applies only to products installed for normal residential use. The warranty applies only to products installed in any one of the fifty states of the United States, the District of Columbia or the ten provinces of Canada. This warranty does not cover any parts or labor to correct any defect caused by negligence, accident or improper use, maintenance, installation, service or repair.

THE REMEDIES DESCRIBED ABOVE FOR EACH WARRANTY ARE THE ONLY ONES THAT WOLF APPLIANCE, INC. WILL PROVIDE, EITHER UNDER THIS WARRANTY OR UNDER ANY WARRANTY ARISING BY OPERATION OF LAW. WOLF APPLIANCE, INC. WILL NOT BE RESPONSIBLE FOR ANY CONSEQUENTIAL OR INCIDENTAL DAMAGES ARISING FROM THE BREACH OF THIS WARRANTY OR ANY OTHER WARRANTY, WHETHER EXPRESS, IMPLIED OR STATUTORY.

Some states do not allow the exclusion or limitation of incidental or consequential damages, so the above limitation or exclusion may not apply to you. This warranty gives you specific legal rights and you may also have other legal rights that vary from state to state.

To receive parts and/or service and the name of Wolf factory certified service nearest you, contact Wolf Appliance, Inc., P.O. Box 44848, Madison, WI 53744; check the contact & support section of our website, wolfappliance.com, email us at customerservice@subzero.com or call 800-222-7820.

*Product must be approved for outdoor use, designated by model and serial number.

**Stainless steel (doors, panels, handles, product frames and interior surfaces) are covered by a limited 60-day parts and labor warranty for cosmetic defects.



Contenido

- 4 Precauciones de seguridad
- 5 Características del cajón calentador
- 6 Funcionamiento del cajón calentador
- 8 Recomendaciones sobre el cuidado
- 9 Resolución de problemas
- 10 Garantías de Wolf

Atención al cliente

El modelo y número de serie están impresos en la tarjeta de registro del producto adjunta. Los dos números también aparecen en la placa de datos del producto. Consulte la página 5 para encontrar la placa de datos. Para fines de la garantía, usted también necesitará la fecha de instalación y el nombre de su distribuidor autorizado de Wolf. Anote esta información abajo para referencia futura.

INFORMACIÓN PARA SERVICIO

Número de modelo

Número de serie

Fecha de instalación

Nombre de servicio certificado

Número de servicio certificado

Distribuidor autorizado

Número de distribuidor

Si su producto alguna vez necesita servicio asegúrese de usar un proveedor de servicios certificado por Wolf y recomendado por nuestro centro de atención al cliente, o seleccione uno de nuestra lista de proveedores en wolfappliance.com/locator. Todos los proveedores de los centros de servicio autorizados han sido cuidadosamente seleccionados y entrenados a fondo por nosotros.

Aviso importante

Para garantizar que este producto se instale y opere de la forma más segura y eficiente posible, tome nota de los siguientes tipos de información resaltada en esta guía:

AVISO IMPORTANTE señala la información que es especialmente importante.

PRECAUCIÓN indica una situación en la que se pueden sufrir heridas leves o provocar daños al producto si no se siguen las instrucciones.

ADVERTENCIA indica peligro de que se produzcan heridas graves o incluso la muerte si no se siguen las precauciones.

AVISO IMPORTANTE: en toda esta guía, las dimensiones entre paréntesis son milímetros, a menos que se especifique lo contrario.

INSTRUCCIONES IMPORTANTES

REQUISITOS GENERALES DE SEGURIDAD

- Lea este manual de uso y cuidado con atención antes de utilizar su nuevo cajón calentador para reducir el riesgo de incendio, descarga eléctrica o lesiones a alguna persona.
- Para protegerse de descargas eléctricas, no sumerja el cable ni lo enchufe en agua u otro líquido.
- El uso de complementos accesorios no recomendados por el fabricante puede ocasionar lesiones.
- No intente reparar ni cambiar ninguna parte del cajón calentador a menos que esté específicamente recomendado en la documentación que acompaña a este electrodoméstico. Todo servicio de garantía debe ser realizado por un centro de servicio autorizado de Wolf.
- Es necesario una supervisión cercana cuando al electrodoméstico lo utilizan niños o cuando se lo utiliza cerca de ellos.
- No use en el exterior (modelo WWD30).
- No use el electrodoméstico para un fin que no sea el indicado.
- No toque el componente calefactor ni la superficie interna del cajón calentador. Estas superficies pueden estar lo suficientemente calientes para causar quemaduras. Las superficies internas del cajón calentador pueden estar calientes al abrirlo.
- No forre con papel de aluminio el cajón calentador, pues puede dañar sus superficies internas.
- No caliente recipientes de comida cerrados, como frascos de alimentos para bebés o enlatados. La acumulación de presión puede hacer que el recipiente explote y cause lesiones.
- No almacene ni utilice gasolina u otros vapores o líquidos ignífugos en las proximidades de este o cualquier otro electrodoméstico.
- Asegúrese de que las toallas solo se apilen a una altura que no supere los costados de la bandeja del cajón. De lo contrario, las toallas podrían decolorarse.
- No coloque más de 60 lb (27 kg) en el cajón calentador.

⚠ ADVERTENCIA

PROPUESTA 65 PARA RESIDENTES DE CALIFORNIA

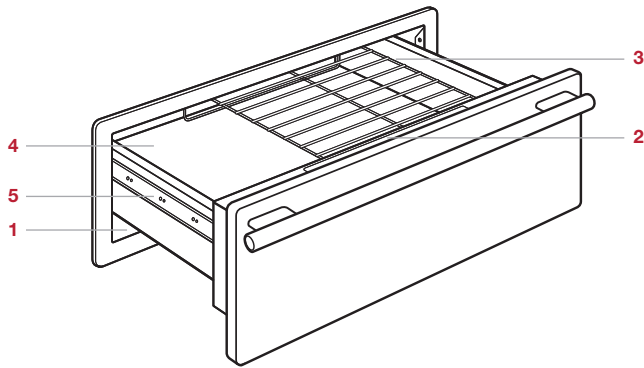
Cáncer y Daño Reproductivo—
www.P65Warnings.ca.gov

GUARDE ESTAS INSTRUCCIONES

Características del cajón calentador

CARACTERÍSTICAS

- | | |
|---|--|
| 1 | Placa de datos del producto |
| 2 | Panel de control oculto |
| 3 | Estante desmontable |
| 4 | Bandeja del cajón |
| 5 | Deslizadores para cajón totalmente extensibles |



Cajón calentador

Primeros pasos

Sabemos que está ansioso por empezar a cocinar, pero antes de hacerlo, dedique un poco de tiempo a leer este manual de uso y cuidado. Si usted es un cocinero ocasional o un chef experto, se beneficiará de familiarizarse con las prácticas de seguridad, características, funcionamiento y recomendaciones de cuidado de su cajón calentador de Wolf.

Para asegurarse de que todo el aceite residual del proceso de fabricación se haya eliminado, limpie a fondo el cajón calentador con agua caliente y un detergente suave antes de utilizarlo. Enjuague y seque con un paño suave. Consulte las recomendaciones sobre el cuidado en la página 8.

Los cajones calentadores de Wolf pueden usarse para calentar o dorar alimentos, fermentar masa o calentar platos o toallas. El modelo WWD300 está aprobado para uso en exteriores.

Panel de control

El panel de control electrónico cuenta con control digital y una pantalla visual. Consulte la siguiente ilustración. El panel de control queda oculto cuando el cajón calentador está cerrado. Abra el cajón para acceder al panel de control.

Temperatura

El cajón calentador tiene cuatro ajustes de temperatura preconfigurada; PROOF (Fermentación) LOW (Baja), MED (Media) y HIGH (Alta). Durante el precalentamiento, la pantalla de temperatura alternará entre el punto establecido y la temperatura real. Se mostrará 'Lo' hasta que la temperatura alcance los 85°F (30°C). Una señal sonora indica que el precalentamiento está completo. Consulte la tabla siguiente.

NOTA IMPORTANTE : Al calentar las toallas, la temperatura no puede exceder de 120°F (50°C).

Configuración de temperatura:

- 1 Presione POWER ON/OFF (Encendido/Apagado).
- 2 Presione una de las opciones PRESETS (Preconfiguradas) para seleccionar la temperatura prefijada o presione las flechas TEMP UP o DOWN (Subir o bajar temperatura) para seleccionar la temperatura que desea.

TEMPERATURA

CONFIGURACIÓN	PRECONFIGURADO	RANGO
PROOF (FERMENTACIÓN)	85°F (30°C)	80–110°F (25–40°C)
LOW (BAJA)	120°F (50°C)	80–200°F (25–95°C)
MED (MEDIA)	160°F (70°C)	80–200°F (25–95°C)
HIGH (ALTA)	200°F (95°C)	80–200°F (25–95°C)

Temporizador

El cajón calentador tiene un temporizador integrado que apagará el cajón automáticamente después de cuatro horas de uso. El temporizador se puede ajustar de un minuto a 24 horas.

Para configurar el temporizador:

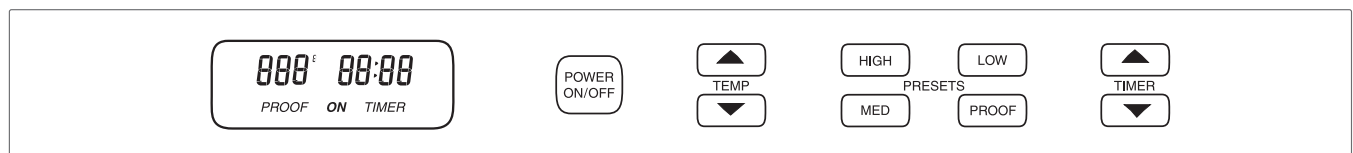
- 1 Seleccione la temperatura que desea.
- 2 Presione las flechas TIMER UP o DOWN (Subir o bajar temporizador) para seleccionar el tiempo que desea. En la pantalla se mostrará 'TIMER' (Temporizador) y el tiempo de apagado.

Personalización de la temperatura preconfigurada y el apagado

Personalice una configuración de temperatura preconfigurada usando la temperatura y la duración del tiempo (un minuto a 24 horas) que desea con el apagado automático.

Para configurar la personalización de la temperatura preconfigurada y el apagado automático:

- 1 Presione POWER ON/OFF (Encendido/Apagado).
- 2 Mantenga presionada la preconfiguración deseada durante 5 segundos hasta que en la pantalla se muestre TIMER (Temporizador) y '4:00'.
- 3 Presione las flechas TEMP UP o DOWN (Subir o bajar temperatura) para seleccionar la temperatura que desea.
- 4 Presione las flechas TIMER UP o DOWN (Subir o bajar temperatura) para seleccionar la duración del tiempo del apagado automático que desea.
- 5 Mantenga presionada la preconfiguración deseada nuevamente durante 5 segundos para guardar la configuración.



Panel de control

Opciones extendidas

UNIDAD DE TEMPERATURA

La temperatura del cajón calentador se puede visualizar en Fahrenheit o Celsius.

Ajuste de la unidad de temperatura:

- 1 Con el cajón calentador apagado, mantenga presionadas las flechas TEMP UP y DOWN (Subir y bajar temperatura) durante 5 segundos.
- 2 Presione las flechas TEMP UP o DOWN (Subir o bajar temperatura) para alternar entre las unidades.
- 3 Una vez que se muestra la unidad deseada, presione POWER ON/OFF (Encendido/Apagado).

LUZ DE FONDO

El panel de control del cajón calentador tiene tres ajustes de luz de fondo; off (Apagado), on in Sabbath (Encendido en Sabbath) u Off in Sabbath (Apagado en Sabbath).

Para ajustar la luz de fondo:

- 1 Con el cajón calentador apagado, mantenga presionadas las flechas TEMP UP y TIMER UP (Subir y bajar temperatura) durante 5 segundos.
- 2 Presione las flechas TIMER UP (Subir temporizador) para alternar entre las configuraciones.
- 3 Una vez que se muestra la configuración deseada, presione POWER ON/OFF (Encendido/Apagado).

Sabbath

Este electrodoméstico lleva el certificado Star-K que indica que cumple con estrictas normas religiosas junto con instrucciones específicas que aparecen en www.star-k.org.

El modo de Sabbath anula la función de apagado automático. El modo de Sabbath debe restablecerse después de un corte de energía.

Ajuste del modo Sabbath:

- 1 Mantenga presionado POWER ON/OFF (Encendido/Apagado) hasta que se muestre 'Sab' en la pantalla del panel de control.
- 2 Presione una de las opciones PRESETS (Preconfiguradas) para seleccionar la temperatura prefijada o presione las flechas TEMP UP o DOWN (Subir o bajar temperatura) para seleccionar la temperatura que desea.
- 3 Para cancelar, presione POWER ON/OFF (Encendido/Apagado).

Recomendaciones sobre el cuidado

LIMPIEZA

Acero inoxidable	<p>Use un limpiador no abrasivo para acero inoxidable y aplique con un paño suave sin pelusa. Para resaltar el lustre natural, limpie suavemente la superficie con una tela de microfibra humedecida con agua, seguida con una gamuza para pulir en seco. Siempre siga la dirección del acabado del acero inoxidable.</p> <p>La bandeja del cajón de acero inoxidable se puede desmontar para su limpieza. Para quitarla, abra el cajón completamente. Deslice la punta de los dedos debajo de los bordes laterales de la bandeja, jale y retire.</p>
Panel de control	<p>Utilice desengrasante en aerosol para retirar las marcas de los dedos y los residuos de alimentos. Rocíe el producto en un paño antes de limpiar el panel.</p> <p>No aplique los limpiadores directamente sobre el panel de control.</p>
Estante desmontable	<p>Limpie con agua caliente y un detergente suave o con pasta de bicarbonato de sodio y agua. Seque con una toalla.</p>
Interior	<p>Limpie con un paño suave y húmedo. No utilice limpiadores abrasivos o agresivos ni estropajos. Para residuos más difíciles, utilice bicarbonato de sodio o un detergente suave, enjuague bien con agua caliente.</p>
Guías del cajón	<p>Retire las migajas de comida de las guías del cajón. Limpie con un paño suave y seco.</p>

Resolución de problemas

El cajón calentador no funciona.

- Compruebe que esté encendido.
- Compruebe que la alimentación eléctrica a la unidad y el interruptor de circuito de la casa estén funcionando.

El cajón no se desliza con suavidad.

- El cajón está desalineado. Abra el cajón totalmente y ciérrelo por completo para realinearlo.
- El cajón está sobrecargado. Reduzca el peso a menos de 60 lb (27 kg).
- Redistribuya el contenido para equilibrar la carga.

Condensación excesiva.

- Quite el líquido de la bandeja del cajón.
- Cubra la comida con una tapa o papel de aluminio.
- La configuración de la temperatura es demasiado alta. Utilice una configuración más baja.

No sale calor en la configuración de fermentación.

- Verifique que PROOF (Fermentación) esté iluminado en la pantalla del panel de control.
- La temperatura ambiente puede evitar que el termostato se encienda.

La comida se seca en la configuración de fermentación.

- Cubra la comida con una tapa o papel de aluminio.

SERVICIO

- Para mantener la calidad de su producto, póngase en contacto con el servicio certificado de fábrica de Wolf. Para obtener los datos del centro de servicio autorizado de Wolf más cercano, eche un vistazo a la sección de contacto y servicio técnico en nuestro sitio web, wolfappliance.com o llame a la línea de atención al cliente de Wolf al 800-222-7820.
- Al comunicarse con el servicio, necesitará el modelo y número de serie de su producto. Los dos números también aparecen en la placa de datos del producto. Consulte la página 5 para encontrar la placa de datos.
- Para fines de la garantía, usted también necesitará la fecha de instalación y el nombre de su distribuidor autorizado de Wolf. Esta información debe estar registrada en la página 3 de este manual.

Garantía limitada residencial de Wolf Appliance

PARA USO RESIDENCIAL

GARANTÍA COMPLETA DE DOS AÑOS*

Durante dos años a partir de la fecha de la instalación original, la garantía de su producto Wolf Appliance cubre todas las partes y mano de obra para reparar o reemplazar, bajo el uso residencial normal, cualquier parte del producto que se compruebe estar defectuosa en material o mano de obra. Todos los servicios proporcionados por Wolf Appliance bajo la garantía anterior deben ser ejecutados por servicios certificados de fábrica de Wolf, a menos que Wolf Appliance, Inc. lo especifique de otra manera. El Servicio será proporcionado durante el horario comercial normal.

GARANTÍA LIMITADA DE CINCO AÑOS

Por cinco años a partir de la fecha de la instalación original, Wolf Appliance reparará o reemplazará los siguientes componentes que se comprueben estar defectuosos en material o mano de obra: quemadores de gas (excluyendo la apariencia), elementos eléctricos de calentamiento, motores de sopladores (campanas de ventilación), módulos de control eléctrico, tubos magnetrón y generadores de inducción. Si el propietario utiliza el servicio certificado de fábrica de Wolf, el prestador del servicio reparará o reemplazará estas partes mediante el pago de todos los otros costos, incluyendo mano de obra, a cargo del propietario. Si el propietario utiliza un servicio no certificado, debe ponerse en contacto con Wolf Appliance, Inc. (utilizando la información anotada más adelante) para recibir los componentes reparados o de reemplazo. Wolf Appliance no reembolsará al propietario los importes correspondientes a componentes comprados a un servicio no certificado o a otras fuentes.

TÉRMINOS APLICABLES A CADA GARANTÍA

La garantía se aplica solamente a los productos instalados para uso residencial normal. La garantía se aplica solamente a los productos instalados en cualquiera de los cincuenta estados de los Estados Unidos, el Distrito de Columbia o las diez provincias de Canadá. Esta garantía no cubre las partes o mano de obra para corregir cualquier defecto causado por negligencia, accidente o uso, mantenimiento, instalación, servicio o reparación inadecuados.

LOS RECURSOS DESCRITOS ANTERIORMENTE PARA CADA GARANTÍA SON LOS ÚNICOS QUE WOLF APPLIANCE, INC. PROPORCIONARÁ, YA SEA BAJO ESTA GARANTÍA O BAJO CUALQUIER GARANTÍA QUE RESULTE DE LA APLICACIÓN DE LA LEY. WOLF APPLIANCE, INC. NO SE HACE RESPONSABLE POR LOS DAÑOS INDIRECTOS O INCIDENTALES DERIVADOS DE LA VIOLACIÓN DE ESTA GARANTÍA O CUALQUIER OTRA GARANTÍA, YA SEA EXPRESA, IMPLÍCITA O LEGAL.

Algunos estados no permiten la exclusión o limitación de daños incidentales o consecuentes, por lo tanto la limitación o exclusión anterior podrían no aplicarse en su caso. Esta garantía le otorga derechos legales específicos, y usted también puede tener otros derechos legales que varían entre estados.

Para recibir las partes o el servicio y el nombre del servicio certificado de fábrica de Wolf más cercano a usted, póngase en contacto con Wolf Appliance, Inc., P.O. Box 44848, Madison, WI 53744; eche un vistazo a la sección de contacto y servicio técnico en nuestro sitio web, wolfappliance.com, envíenos un correo electrónico a customerservice@subzero.com o llame al 800-222-7820.

*Las puertas, paneles, manijas, estructuras de acero inoxidable y superficies internas están cubiertas por una garantía limitada de 60 días sobre piezas y mano de obra, por defectos cosméticos.

*Los filtros de repuesto para los kits de circulación de la campana de ventilación no están cubiertos por la garantía del producto.



Garantía limitada de Wolf Appliance para exteriores*

PARA USO RESIDENCIAL

GARANTÍA COMPLETA DE UN AÑO**

Durante un año a partir de la fecha de la instalación original, la garantía de su producto Wolf Appliance cubre todas las partes y mano de obra para reparar o reemplazar, bajo el uso residencial normal, cualquier parte del producto que se compruebe estar defectuosa en material o mano de obra. Todos los servicios proporcionados por Wolf Appliance bajo la garantía anterior deben ser ejecutados por servicios certificados de fábrica de Wolf, a menos que Wolf Appliance, Inc. lo especifique de otra manera. El Servicio será proporcionado durante el horario comercial normal.

GARANTÍA LIMITADA DE CINCO AÑOS

Durante cinco años a partir de la fecha de la instalación original, Wolf Appliance reparará o reemplazará los siguientes componentes que se comprueben estar defectuosos en material o mano de obra: bandejas de briquetas de acero inoxidable, llaves de gas, bandejas recolectoras, tableros de control electrónico y elementos eléctricos de calentamiento. Si el propietario utiliza el servicio certificado de fábrica de Wolf, el prestador del servicio reparará o reemplazará estas partes mediante el pago de todos los otros costos, incluyendo mano de obra, a cargo del propietario. Si el propietario utiliza un servicio no certificado, debe ponerse en contacto con Wolf Appliance, Inc. (utilizando la información anotada más adelante) para recibir los componentes reparados o de reemplazo. Wolf Appliance no reembolsará al propietario los importes correspondientes a componentes comprados a un servicio no certificado o a otras fuentes.

GARANTÍA PERPETUA LIMITADA

Durante la vida útil del producto, Wolf Appliance reparará o reemplazará los siguientes componentes que se comprueben estar defectuosos en material o mano de obra: todos los componentes de acero inoxidable (excepto corrosión de superficies, rayones, decoloración, manchas causadas por las condiciones meteorológicas y atmosféricas y corrosión y oxidación menor de la superficie). Si el propietario utiliza el servicio certificado de fábrica de Wolf, el prestador del servicio reparará o reemplazará estas partes mediante el pago de todos los otros costos, incluyendo mano de obra, a cargo del propietario. Si el propietario utiliza un servicio no certificado, debe ponerse en contacto con Wolf Appliance, Inc. (utilizando la información anotada más adelante) para recibir los componentes reparados o de reemplazo. Wolf Appliance no reembolsará al propietario los importes correspondientes a componentes comprados a un servicio no certificado o a otras fuentes.

TÉRMINOS APLICABLES A CADA GARANTÍA

La garantía se aplica solamente a los productos instalados para uso residencial normal. La garantía se aplica solamente a los productos instalados en cualquiera de los cincuenta estados de los Estados Unidos, el Distrito de Columbia o las diez provincias de Canadá. Esta garantía no cubre las partes o mano de obra para corregir cualquier defecto causado por negligencia, accidente o uso, mantenimiento, instalación, servicio o reparación inadecuados.

LOS RECURSOS DESCRITOS ANTERIORMENTE PARA CADA GARANTÍA SON LOS ÚNICOS QUE WOLF APPLIANCE, INC. PROPORCIONARÁ, YA SEA BAJO ESTA GARANTÍA O BAJO CUALQUIER GARANTÍA QUE RESULTE DE LA APLICACIÓN DE LA LEY. WOLF APPLIANCE, INC. NO SE HACE RESPONSABLE POR LOS DAÑOS INDIRECTOS O INCIDENTALES DERIVADOS DE LA VIOLACIÓN DE ESTA GARANTÍA O CUALQUIER OTRA GARANTÍA, YA SEA EXPRESA, IMPLÍCITA O LEGAL.

Algunos estados no permiten la exclusión o limitación de daños incidentales o consecuentes, por lo tanto la limitación o exclusión anterior podrían no aplicarse en su caso. Esta garantía le otorga derechos legales específicos, y usted también puede tener otros derechos legales que varían entre estados.

Para recibir las partes o el servicio y el nombre del servicio certificado de fábrica de Wolf más cercano a usted, póngase en contacto con Wolf Appliance, Inc., P.O. Box 44848, Madison, WI 53744; eche un vistazo a la sección de contacto y servicio técnico en nuestro sitio web, wolfappliance.com, envíenos un correo electrónico a customerservice@subzero.com o llame al 800-222-7820.

*El producto debe estar aprobado para uso al aire libre, designado por modelo y número de serie.

**Las puertas, paneles, manijas, estructuras de acero inoxidable y superficies internas están cubiertas por una garantía limitada de 60 días sobre piezas y mano de obra, por defectos cosméticos.



Table des matières

- 4 Précautions de sécurité
- 5 Caractéristiques du tiroir chauffe-plats
- 6 Fonctionnement du tiroir chauffe-plats
- 8 Recommandations d'entretien
- 9 Dépannage
- 10 Garanties de Wolf

Service à la clientèle

Le numéro de modèle et le numéro de série sont imprimés sur la fiche d'enregistrement du produit ci-jointe. Les deux numéros sont aussi indiqués sur la plaque signalétique du produit. Reportez-vous à la page 5 pour connaître l'emplacement de la plaque signalétique. Pour les besoins de la garantie, vous devrez aussi avoir la date d'installation et le nom de votre dépositaire Wolf autorisé. Inscrivez ces renseignements ci-dessous pour consultation ultérieure.

RENSEIGNEMENTS SUR LE SERVICE

Numéro de modèle

Numéro de série

Date de l'installation

Nom du service certifié

Numéro du service certifié

Dépositaire autorisé

Numéro du dépositaire

Si votre produit a besoin d'être réparé, assurez-vous d'utiliser un fournisseur de service certifié par l'usine Wolf recommandé par notre centre de service à la clientèle, ou sélectionnez-en un parmi la liste de fournisseurs disponibles à wolfappliance.com/locator. Tous les fournisseurs de service certifiés par l'usine sont soigneusement sélectionnés et rigoureusement formés par nous.

Remarque importante

Pour s'assurer que ce produit est installé et utilisé en toute sécurité et aussi efficacement que possible, prenez note des types de renseignement mis en évidence tout au long de ce guide :

REMARQUE IMPORTANTE met en évidence des renseignements qui sont particulièrement importants.

MISE EN GARDE indique une situation où une blessure mineure ou des dommages au produit peuvent se produire si les directives ne sont pas respectées.

AVERTISSEMENT décrit un danger qui peut causer une blessure grave ou la mort si les précautions ne sont pas respectées.

REMARQUE IMPORTANTE : tout au long de ce guide, les dimensions entre parenthèses sont en millimètres à moins d'indication contraire.

DIRECTIVES IMPORTANTES

EXIGENCES GÉNÉRALES DE SÉCURITÉ

- Lisez ce guide d'utilisation et d'entretien attentivement avant d'utiliser votre nouveau tiroir chauffe-plats afin de réduire le risque d'incendie, de choc électrique ou de blessures.
- Pour vous protéger contre les chocs électriques, n'immergez pas le cordon ou la fiche dans l'eau ou dans tout autre liquide.
- L'utilisation d'accessoires non recommandés par le fabricant de l'appareil peut causer des blessures.
- Ne réparez pas et ne remplacez pas toute pièce du tiroir chauffe-plats à moins que cela ne soit spécifiquement recommandé dans la documentation accompagnant cet appareil. Tout service doit être effectué par un centre de service Wolf certifié par l'usine.
- Une surveillance attentive est nécessaire lorsqu'un appareil est utilisé par des enfants ou à leur proximité.
- N'utilisez pas à l'extérieur (modèle WWD30).
- N'utilisez pas l'appareil pour des usages autres que celui prévu.
- Ne touchez pas à l'élément de chauffage ou à la surface intérieure du tiroir chauffe-plats. Ces surfaces peuvent être assez chaudes pour causer des brûlures. Les surfaces intérieures du tiroir chauffe-plats peuvent être chaudes lorsqu'il est ouvert.
- Ne placez pas du papier en aluminium au fond du tiroir chauffe-plats. Cela peut causer des dommages aux surfaces intérieures du tiroir chauffe-plats.
- Ne chauffez pas des contenants d'aliment non ouverts comme les pots et les boîtes de nourriture pour bébé. L'accumulation de pression peut faire éclater le contenant et causer des blessures.
- Ne rangez pas et n'utilisez pas de l'essence ou d'autres vapeurs ou liquides inflammables à proximité de cet appareil ou de tout autre appareil.
- Assurez-vous de ne pas empiler des serviettes au-delà de la hauteur des parois de la cuvette du tiroir. Un empilement plus élevé peut entraîner la décoloration des serviettes.
- Ne placez pas plus de 60 lb (27 kg) dans le tiroir chauffe-plats.

▲ AVERTISSEMENT

PROPOSITION 65 POUR RESIDENTS DE LA CALIFORNIE

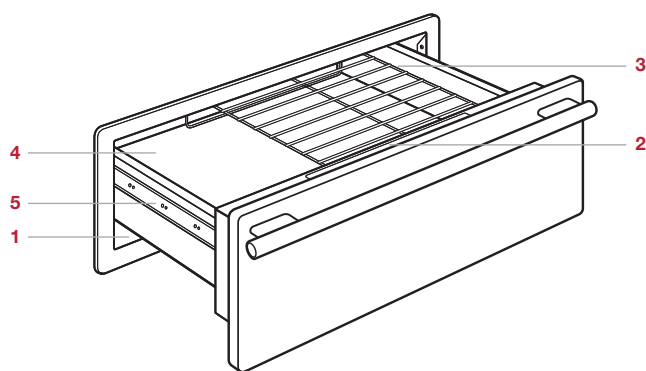
Cancer et Troubles de l'appareil reproducteur—
www.P65Warnings.ca.gov

CONSERVEZ CES DIRECTIVES

Caractéristiques du tiroir chauffe-plats

CARACTÉRISTIQUES

- | | |
|---|---|
| 1 | Plaque signalétique du produit |
| 2 | Panneau de commande caché |
| 3 | Grille amovible |
| 4 | Cuvette du tiroir |
| 5 | Glissières du tiroir à extension complète |



Tiroir chauffe-plats

Comment commencer

Nous savons que vous êtes impatient de commencer à cuisiner, mais avant de le faire, veuillez prendre quelques instants pour lire ce guide d'utilisation et d'entretien. Que vous soyez un cuisinier occasionnel ou un chef expert, il vous sera bénéfique de vous familiariser avec les pratiques de sécurité, les fonctions, le fonctionnement et les recommandations d'entretien de votre tiroir chauffe-plats de Wolf.

Pour s'assurer que toute l'huile résiduelle du processus de fabrication a été enlevée, nettoyez le tiroir chauffe-plats à fond avec de l'eau chaude et un détergent doux avant de l'utiliser. Rincez et séchez avec un chiffon doux. Reportez-vous aux conseils d'entretien à la page 8.

Les tiroirs chauffe-plats de Wolf peuvent être utilisés pour réchauffer ou rendre des aliments croustillants, apprêter de la pâte ou réchauffer des assiettes ou des serviettes. Le modèle WWD300 est approuvé pour l'usage à l'extérieur.

Panneau de commande

Le panneau de commande électronique comprend des commandes tactiles et un affichage visuel. Reportez-vous à l'illustration ci-dessous. Le panneau de commande est caché lorsque le tiroir chauffe-plats est fermé. Ouvrez le tiroir pour accéder au panneau de commande.

Température

Le tiroir chauffe-plats comprend quatre pré-réglages de température : PROOF (APPRÊT), LOW (FAIBLE), MED (MOYENNE) et HIGH (ÉLEVÉE). Durant le préchauffage, l'affichage de température alterne entre le point de réglage et la température réelle. Le mot « Lo » apparaît jusqu'à ce que la température interne atteigne 85 °F (30 °C). Une sonnerie indique que le préchauffage est terminé. Reportez-vous au tableau ci-dessous.

NOTE IMPORTANTE : Lorsque le réchauffement des serviettes, la température ne peut pas dépasser 120 °F (50 °C).

Régler la température :

- 1 Appuyez sur POWER ON/OFF (marche/arrêt).
- 2 Touchez à un des PRESETS (pré-réglages) pour sélectionner la température pré-réglée ou appuyez sur les flèches TEMP (température) vers le haut ou le bas pour choisir la température voulue.

TEMPÉRATURE

RÉGLAGE	PRÉ-RÉGLAGE	ÉTENDUE
PROOF (APPRÊT)	85 °F (30 °C)	80-110 °F (25-40 °C)
LOW (FAIBLE)	120 °F (50 °C)	80-200 °F (25-95 °C)
MED (MOYENNE)	160 °F (70 °C)	80-200 °F (25-95 °C)
HIGH (ÉLEVÉE)	200 °F (95 °C)	80-200 °F (25-95 °C)

Minuterie

Le tiroir chauffe-plats possède une minuterie intégrée qui éteint automatiquement le tiroir après quatre heures d'utilisation. La minuterie peut être réglée pour une période variant d'une minute à 24 heures.

Régler la minuterie :

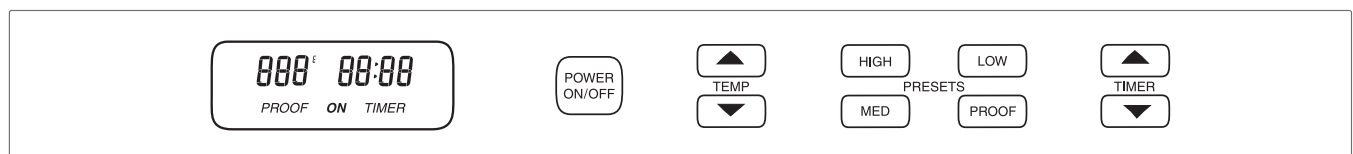
- 1 Sélectionnez la température désirée.
- 2 Enfoncez les flèches TIMER (minuterie) vers le haut ou le bas pour sélectionner la durée voulue. Le mot « TIMER » apparaît et la période devant s'écouler avant l'arrêt apparaît sur l'affichage.

Température et arrêt pré-réglés personnalisés

Personnalisez un réglage de température pré-réglé en utilisant la température désirée et la durée de la minuterie (une minute à 24 heures) avant l'arrêt automatique.

Régler une température pré-réglée personnalisée et l'arrêt automatique :

- 1 Appuyez sur POWER ON/OFF (marche/arrêt).
- 2 Enfoncez et tenez le pré-réglage désiré pendant cinq secondes jusqu'à ce que TIMER (minuterie) et « 4:00 » apparaissent sur l'affichage.
- 3 Enfoncez les flèches TEMP (température) vers le haut ou le bas pour sélectionner la température voulue.
- 4 Enfoncez les flèches TIMER (minuterie) vers le haut ou le bas pour sélectionner la durée de la période devant s'écouler avant l'arrêt.
- 5 Enfoncez et tenez le pré-réglage désiré à nouveau pendant cinq secondes pour enregistrer les réglages.



Panneau de commande

Options supplémentaires

UNITÉ DE TEMPÉRATURE

La température du tiroir chauffe-plats peut être affichée en Fahrenheit ou Celsius.

Régler l'unité de température :

- 1 Avec le tiroir chauffe-plats éteint, enfoncez et tenez les flèches TEMP (température) vers le haut et le bas pendant cinq secondes.
- 2 Enfoncez les flèches TEMP (température) vers le haut ou le bas pour alterner entre les unités.
- 3 Une fois l'unité désirée affichée, touchez à POWER ON/OFF (marche/arrêt).

RÉTROÉCLAIRAGE

Le panneau de commande du tiroir chauffe-plats possède trois réglages de rétroéclairage : arrêt, marche durant le Shabbath ou arrêt durant le Shabbath.

Régler le rétroéclairage :

- 1 Avec le tiroir chauffe-plats éteint, enfoncez et tenez la touche TEMP (température) UP et TIMER (minuterie) UP pendant 5 secondes.
- 2 Enfoncez les flèches TIMER (minuterie) vers le haut pour alterner entre les réglages.
- 3 Une fois le réglage désiré affiché, touchez à POWER ON/OFF (marche/arrêt).

Shabbath

Cet appareil est certifié par Star-K pour répondre à des règlements religieux rigoureux relativement à des directives précises se trouvant sur www.star-k.org.

Shabbath prend priorité sur la fonction d'arrêt automatique. La fonction Shabbath doit être réinitialisée après une panne de courant.

Régler le mode Shabbath :

- 1 Enfoncez et tenez la touche POWER ON/OFF (marche/arrêt) jusqu'à ce que « Sab » apparaisse sur l'affichage du panneau de commande.
- 2 Touchez à un des PRESETS (pré-réglages) pour sélectionner la température pré-réglée ou appuyez sur les flèches TEMP (température) vers le haut ou le bas pour choisir la température voulue.
- 3 Pour annuler, appuyez sur POWER ON/OFF (marche/arrêt).

Conseils d'entretien

NETTOYAGE

Acier inoxydable	Utilisez un nettoyant non abrasif pour l'acier inoxydable et appliquez-le avec un chiffon doux non pelucheux. Pour faire ressortir le lustre naturel, essuyez légèrement la surface avec un chiffon en microfibras humecté d'eau suivi d'un chamois à polir sec. Suivez toujours le grain de l'acier inoxydable. La cuvette en acier inoxydable du tiroir est amovible pour la nettoyer. Pour la retirer, ouvrez le tiroir complètement. Glissez les doigts sous les rebords latéraux de la cuvette, tirez vers le haut et l'extérieur.
Panneau de commande	Utilisez un dégraissant pulvérisé pour éliminer les empreintes de doigts et les taches de nourriture. Pulvérisez sur un chiffon avant d'essuyer le panneau. Ne pulvérisez pas les produits à nettoyer directement sur le panneau de commande.
Grille amovible	Nettoyez avec de l'eau chaude et un détergent doux ou une pâte de bicarbonate de soude et d'eau. Séchez avec une serviette.
Intérieur	Essuyez avec un chiffon doux et humide. N'utilisez pas de nettoyants abrasifs ou puissants ou de tampons à récurer. Pour la saleté plus tenace, utilisez du bicarbonate de soude ou un savon doux; rincez à fond avec de l'eau chaude.
Glissières de tiroir	Retirez les miettes de nourriture des glissières de tiroir. Essuyez avec un chiffon doux et sec.

Dépannage

Le tiroir chauffe-plats ne fonctionne pas.

- Assurez-vous qu'il y a du courant.
- Vérifiez l'alimentation électrique vers le tiroir chauffe-plats et assurez-vous que le disjoncteur est en marche.

Le tiroir ne glisse pas uniformément.

- Le tiroir est désaligné. Tirez le tiroir complètement et fermez-le à fond pour le réaligner.
- Le tiroir est trop chargé. Réduisez le poids à moins de 60 lb (27 kg).
- Redistribuez le contenu pour équilibrer la charge.

Condensation excessive.

- Retirez le liquide se trouvant dans la cuvette du tiroir.
- Couvrez les aliments avec un couvercle ou du papier d'aluminium.
- Le réglage de la température est trop élevé. Utilisez un réglage plus bas.

Le réglage apprêt ne dégage pas de chaleur.

- Vérifiez que PROOF (apprêt) est illuminé sur l'affichage du panneau de commande.
- La température de la pièce peut empêcher le thermostat de se mettre en marche.

Les aliments s'assèchent lorsque le réglage apprêt est choisi.

- Couvrez les aliments avec un couvercle ou du papier d'aluminium.

SERVICE

- Préservez la qualité intégrée dans votre produit en communiquant avec un service Wolf certifié par l'usine. Pour obtenir le nom du centre de service Wolf certifié par l'usine le plus près de chez vous, consultez la section Contact et assistance de notre site Web, wolfappliance.com ou appelez le service à la clientèle de Wolf à 800-222-7820.
- Avant d'appeler pour obtenir du service, ayez en main les numéros de modèle et de série de votre produit. Les deux numéros sont indiqués sur la plaque signalétique du produit. Reportez-vous à la page 5 pour connaître l'emplacement de la plaque signalétique.
- Pour les besoins de la garantie, vous devrez aussi avoir la date d'installation et le nom de votre dépositaire Wolf autorisé. Ces renseignements doivent être notés à la page 3 de ce guide.

Garantie limitée résidentielle Wolf Appliance

POUR UTILISATION RÉSIDENIELLE

GARANTIE COMPLÈTE DE DEUX ANS*

Pendant deux ans à compter de la date d'installation originale, cette garantie de produit Wolf Appliance couvre toutes les pièces et la main d'œuvre pour réparer ou remplacer, selon un usage résidentiel normal, toute partie du produit qui s'avérerait défectueuse en vertu des matériaux ou de la fabrication. Tout service fourni par Wolf Appliance en vertu de la garantie ci-dessus doit être effectué par un centre de service Wolf certifié par l'usine, à moins d'indication contraire de la part de Wolf Appliance, Inc. Le service sera fourni pendant les heures normales d'affaires.

GARANTIE LIMITÉE DE CINQ ANS

Pendant cinq ans à compter de la date originale d'installation, Wolf Appliance réparera ou remplacera les pièces suivantes qui s'avèreront défectueuses en vertu des matériaux ou de la fabrication : les brûleurs au gaz (sauf l'apparence), les éléments de chauffage électrique, les moteurs de soufflerie (hottes de ventilation), les circuits de contrôle électronique, les tubes magnétrons et les génératrices à induction. Si le propriétaire utilise le service Wolf certifié en usine, le fournisseur de service réparera ou remplacera ces pièces et le propriétaire paiera pour tous les autres frais, y compris la main d'œuvre. Si le propriétaire utilise un service non certifié, il doit communiquer avec Wolf Appliance, Inc. (avec les renseignements ci-dessous) pour obtenir des pièces réparées ou de rechange. Wolf Appliance ne remboursera pas le propriétaire pour les pièces achetées d'un service non certifié ou d'autres sources.

CONDITIONS S'APPLIQUANT À CHAQUE GARANTIE

La garantie s'applique uniquement aux produits installés pour un usage résidentiel normal. La garantie s'applique seulement aux produits installés dans l'un des cinquante états des États-Unis, dans le District of Columbia ou les dix provinces du Canada. Cette garantie ne couvre pas les pièces ou la main d'œuvre pour corriger tout défaut causé par de la négligence, un accident ou une utilisation, un entretien, une installation, un service ou une réparation inappropriés.

LES REMÈDES DÉCRITS CI-DESSUS POUR CHAQUE GARANTIE SONT LES SEULS QUI SONT OFFERTS PAR WOLF APPLIANCE, INC. EN VERTU DE CETTE GARANTIE OU EN VERTU DE TOUTE GARANTIE DÉCOULANT DE L'OPÉRATION DE LA LOI. WOLF APPLIANCE, INC. NE SERA PAS RESPONSABLE DES DOMMAGES INDIRECTS OU CONSÉCUTIFS DÉCOULANT DE LA VIOLATION DE CETTE GARANTIE OU DE TOUTE GARANTIE, EXPRESSE, IMPLICITE OU LÉGALE.

Certaines provinces ne permettent pas l'exclusion ou la restriction des dommages indirects ou consécutifs, par conséquent, la limite ou l'exclusion ci-dessus peut ne pas s'appliquer à votre cas. Cette garantie vous confère des droits légaux précis et vous pouvez aussi avoir d'autres droits légaux qui peuvent varier d'une province à l'autre.

Pour obtenir des pièces et/ou du service et le nom du centre de service Wolf certifié par l'usine le plus près de chez vous, communiquez avec Wolf Appliance, Inc., P.O. Box 44848, Madison, WI 53744 É.-U.; vérifiez la section Contact et assistance de notre site Web, wolfappliance.com, envoyez-nous un courriel à customerservice@subzero.com ou composez le 800-222-7820.

*L'acier inoxydable (les portes, les panneaux, les poignées, les cadres et les surfaces intérieures) est couvert par une garantie limitée de 60 jours sur les pièces et la main d'œuvre pour toute défectuosité cosmétique.

*Les filtres de rechange pour les trousse de recirculation de hotte ne sont pas couverts par la garantie du produit.



Garantie limitée pour l'extérieur Wolf Appliance*

POUR UTILISATION RÉSIDENIELLE

GARANTIE COMPLÈTE D'UN AN**

Pendant un an à compter de la date d'installation originale, cette garantie de produit Wolf Appliance couvre toutes les pièces et la main d'œuvre pour réparer ou remplacer, selon un usage résidentiel normal, toute partie du produit qui s'avèrerait défectueuse en vertu des matériaux ou de la fabrication. Tout service fourni par Wolf Appliance en vertu de la garantie ci-dessus doit être effectué par un centre de service Wolf certifié par l'usine, à moins d'indication contraire de la part de Wolf Appliance, Inc. Le service sera fourni pendant les heures normales d'affaires.

GARANTIE LIMITÉE DE CINQ ANS

Pendant cinq ans à compter de la date originale d'installation, Wolf Appliance réparera ou remplacera les pièces suivantes qui s'avèreront défectueuses en vertu des matériaux ou de la fabrication : les plateaux de briquettes en acier inoxydable, les robinets de gaz, les cuvettes d'écoulement, les circuits de contrôle électronique et les éléments de chauffage électriques. Si le propriétaire utilise le service Wolf certifié en usine, le fournisseur de service réparera ou remplacera ces pièces et le propriétaire paiera pour tous les autres frais, y compris la main d'œuvre. Si le propriétaire utilise un service non certifié, il doit communiquer avec Wolf Appliance, Inc. (avec les renseignements ci-dessous) pour obtenir des pièces réparées ou de rechange. Wolf Appliance ne remboursera pas le propriétaire pour les pièces achetées d'un service non certifié ou d'autres sources.

GARANTIE À VIE LIMITÉE

Pendant la durée utile du produit, Wolf Appliance réparera ou remplacera les pièces suivantes qui s'avèreront défectueuses en vertu des matériaux ou de la fabrication : tous les composants en acier inoxydable (sauf la corrosion en surface, les égratignures, la décoloration, les taches causées par les intempéries et liées à l'atmosphère et la rouille et l'oxydation mineures en surface). Si le propriétaire utilise le service Wolf certifié en usine, le fournisseur de service réparera ou remplacera ces pièces et le propriétaire paiera pour tous les autres frais, y compris la main d'œuvre. Si le propriétaire utilise un service non certifié, il doit communiquer avec Wolf Appliance, Inc. (avec les renseignements ci-dessous) pour obtenir des pièces réparées ou de rechange. Wolf Appliance ne remboursera pas le propriétaire pour les pièces achetées d'un service non certifié ou d'autres sources.

CONDITIONS S'APPLIQUANT À CHAQUE GARANTIE

La garantie s'applique uniquement aux produits installés pour un usage résidentiel normal. La garantie s'applique seulement aux produits installés dans l'un des cinquante États des États-Unis, dans le District of Columbia ou les dix provinces du Canada. Cette garantie ne couvre pas les pièces ou la main d'œuvre pour corriger tout défaut causé par de la négligence, un accident ou une utilisation, un entretien, une installation, un service ou une réparation inappropriés.

LES REMÈDES DÉCRITS CI-DESSUS POUR CHAQUE GARANTIE SONT LES SEULS QUI SONT OFFERTS PAR WOLF APPLIANCE, INC. EN VERTU DE CETTE GARANTIE OU EN VERTU DE TOUTE GARANTIE DÉCOULANT DE L'OPÉRATION DE LA LOI. WOLF APPLIANCE, INC. NE SERA PAS RESPONSABLE DES DOMMAGES INDIRECTS OU CONSÉCUTIFS DÉCOULANT DE LA VIOLATION DE CETTE GARANTIE OU DE TOUTE GARANTIE, EXPRESSE, IMPLICITE OU LÉGALE.

Certaines provinces ne permettent pas l'exclusion ou la restriction des dommages indirects ou consécutifs, par conséquent, la limite ou l'exclusion ci-dessus peut ne pas s'appliquer à votre cas. Cette garantie vous confère des droits légaux précis et vous pouvez aussi avoir d'autres droits légaux qui peuvent varier d'une province à l'autre.

Pour obtenir des pièces et/ou du service et le nom du centre de service Wolf certifié par l'usine le plus près de chez vous, communiquez avec Wolf Appliance, Inc., P.O. Box 44848, Madison, WI 53744 É.-U.; consultez la section Contact et assistance de notre site Web, wolfappliance.com, envoyez-nous un courriel à customerservice@subzero.com ou composez le 800-222-7820.

*Le produit doit être approuvé pour utilisation à l'extérieur, désigné par le numéro de modèle et de série.

**L'acier inoxydable (les portes, les panneaux, les poignées, les cadres et les surfaces intérieures) est couvert par une garantie limitée de 60 jours sur les pièces et la main d'œuvre pour toute défectuosité cosmétique.





WOLF APPLIANCE, INC. P.O. BOX 44848 MADISON, WI 53744 WOLFAPPLIANCE.COM 800.222.7820

10/2022

