

VACUUM SEAL DRAWER
USE AND CARE GUIDE

CLEANING, MAINTENANCE, AND MORE



Contents

- 4 Safety Precautions
- 5 Vacuum Seal Drawer Features
- 6 Vacuum Seal Drawer Operation
- 9 Care Recommendations
- 10 Troubleshooting
- 11 Wolf Warranty

Customer Care

The model and serial number are printed on the enclosed product registration card. Both numbers are also listed on the product rating plate. Refer to page 5 for rating plate location. For warranty purposes, you will also need the date of installation and name of your authorized Wolf dealer. Record this information below for future reference.

SERVICE INFORMATION

Model Number	_____
Serial Number	_____
Date of Installation	_____
Certified Service Name	_____
Certified Service Number	_____
Authorized Dealer	_____
Dealer Number	_____

If your product ever needs attention, be sure to use a Wolf Factory Certified Service provider recommended by our Customer Care Center, or select one from our list of providers available at wolfappliance.com/locator. All Factory Certified Service providers are carefully selected and thoroughly trained by us.

Important Note

To ensure this product is installed and operated as safely and efficiently as possible, take note of the following types of highlighted information throughout this guide:

IMPORTANT NOTE highlights information that is especially important.

CAUTION indicates a situation where minor injury or product damage may occur if instructions are not followed.

WARNING states a hazard that may cause serious injury or death if precautions are not followed.

IMPORTANT NOTE: Throughout this guide, dimensions in parentheses are millimeters unless otherwise specified.

SAFETY PRECAUTIONS

This appliance was built to achieve recognized standards in technology and safety regulations and is designed for use in the home for preparing food. It is not intended for use by persons with reduced physical, sensory, or mental capabilities, or lack of experience and knowledge, unless supervised or unless they have been given instruction concerning the use of the appliance by a person responsible for their safety. Proper use is essential to avoid damage or accidents.

Installation and connection to power supply must be performed by a qualified electrician in accordance with provided installation instructions.

Please retain this guide for future reference. If you sell the appliance or pass it on to a third party, please ensure these instructions accompany the appliance.

This product is intended for household use only.

⚠ WARNING

PROPOSITION 65 FOR CALIFORNIA RESIDENTS

Cancer and Reproductive Harm—
www.P65Warnings.ca.gov

IMPORTANT SAFEGUARDS

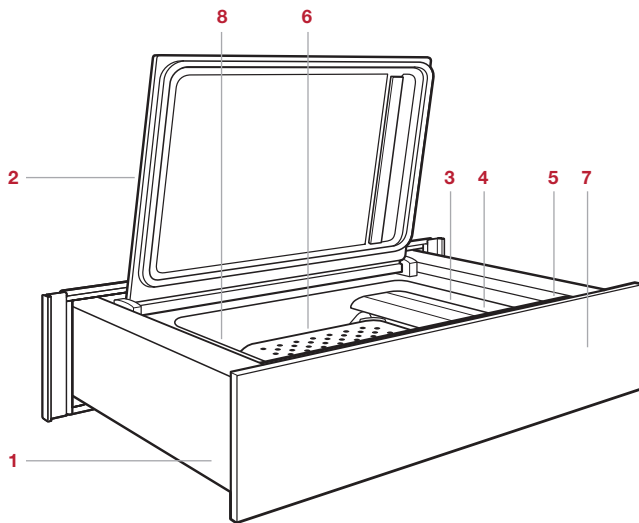
When using electrical appliances, always follow basic safety precautions, including the following:

- Read all instructions.
- Do not operate any appliance with a damaged cord or plug, or after the appliance malfunctions or has been damaged in any manner. Return the appliance to the nearest authorized service facility for examination, repair, or adjustment.
- Never use a steam cleaner to clean the appliance.
- Do not touch hot surfaces. Use handles or knobs.
- Do not use aggressive or abrasive detergent or sharp metal scrapers to clean the glass lid.
- Close supervision is necessary when any appliance is used by or near children.
- Warranty service must be performed by Wolf Factory Certified Service.
- Only use Wolf vacuum bags with this product.
- Do not operate the unit if the glass top is broken or cracked.
- Do not use appliance for other than intended use.
- Save these instructions.

Vacuum Seal Drawer Features

FEATURES

1	Product Rating Plate
2	Lid
3	Sealing Bar
4	Bag Clip
5	Control Panel
6	Shelf
7	Push-Pull Drawer Opening
8	Vacuum Inlet



Vacuum Seal Drawer

Getting Started

Before you start using your new vacuum seal drawer, please take some time to read this use and care guide. It will be to your benefit to familiarize yourself with the safety practices, features, operation, and care recommendations of your Wolf Vacuum Seal Drawer.

To ensure all residual oil from the manufacturing process has been removed, clean the vacuum seal drawer thoroughly with hot water and a mild detergent prior to use. Rinse and dry with a soft cloth. Refer to Care Recommendations on page 9.

Vacuum Bags

⚠ CAUTION

Only use Wolf vacuum bags.

Select the appropriate size bag to ensure the food does not exceed $\frac{2}{3}$ of the volume of the bag.

To ensure the bag seals properly, fold the top of the bag down approximately 2" (51) before filling.

Wolf vacuum bags are approved for sous vide cooking with a temperature range of -40°F (-40°C) to 240°F (115°C).

Wolf vacuum bags are microwave-safe. Pierce the bag prior to cooking.

Control Panel

The electronic control panel features touch controls and LED indicators. Refer to the illustration below. The control panel is hidden when the vacuum seal drawer is closed. Open the drawer to access the control panel.

The controls feature Vacuum, Seal, Auxiliary Vacuum, and Pump Dehumidification Cycle.

INDICATORS	RECOMMENDED USES
0	Seal bag only
1	Fruits, berries, and liquids
2	Fish and vegetables
3	Meats and frozen foods

Operation

VACUUM AND SEAL

Vacuum Level: Indicated by one, two, or three illuminated dashes above VACUUM.

Seal Level: Indicated by one, two, or three illuminated dashes above SEAL.

⚠ CAUTION

Selecting an improper seal level can damage the seal bar. Wait at least two minutes between sealing cycles. All contents must be at or below room temperature prior to the sealing operation.

To Vacuum and Seal:

- 1 Place food in the vacuum bag.
- 2 Open the lid and place the bag into the chamber.
- 3 Place the open end of the bag under the bag clip. For smaller bags, insert the shelf to support the bag while sealing.
- 4 Touch POWER.
- 5 Touch VACUUM multiple times to select the desired vacuum level.
- 6 Touch SEAL multiple times to select the desired seal level.
- 7 Press down on the lid and touch START to initiate the vacuum process.
- 8 An audible signal indicates the process is complete.
- 9 Open the lid and remove the food.



Control panel

Operation

VACUUM ONLY

▲ WARNING

This process is not intended for canning or making jam. All contents should be at or below room temperature.

Jars less than 3" (76) with screw-top lids can be vacuumed to remove air. Once the vacuum seal is broken, the contents should be placed in the refrigerator.

To Vacuum Only:

- 1 Place the lid on the jar, then lightly tighten the ring and place in the chamber.
IMPORTANT NOTE: Do not overtighten the lid. Air must be able to escape.
- 2 Touch POWER.
- 3 Touch VACUUM multiple times to select the desired vacuum level.
- 4 Touch SEAL multiple times until no LED indicators are illuminated.
- 5 Touch START, then press down on the lid to initiate the vacuum process.
- 6 An audible signal indicates the process is complete.
- 7 Open the lid and remove the food.

SEAL ONLY

Bags can be sealed without creating a vacuum. The vacuum will cycle briefly during the Seal Only operation to seat the lid and ensure the seal bar is in contact with the bag.

IMPORTANT NOTE: For best results, fill the vacuum seal bags less than half full when sealing fragile foods.

The original food packaging can be sealed using the Seal Only function. Adjust the seal level according to the thickness of the bag. Use seal level 1 for bags thinner than the Wolf vacuum seal bags.

To Seal Only:

- 1 Place food in the vacuum bag.
- 2 Open the lid and place the bag into the chamber.
- 3 Place the open end of the bag under the bag clip. For smaller bags, insert the shelf to support the bag while sealing.
- 4 Touch POWER.
- 5 Touch VACUUM multiple times until no LED indicators are illuminated.
- 6 Touch SEAL multiple times to select the desired vacuum level. Use level 2 for all bags unless otherwise specified for the bag.
- 7 Press down on the lid and touch START to initiate the vacuum process.
- 8 An audible signal indicates the process is complete.
- 9 Open the lid and remove the food.

Operation

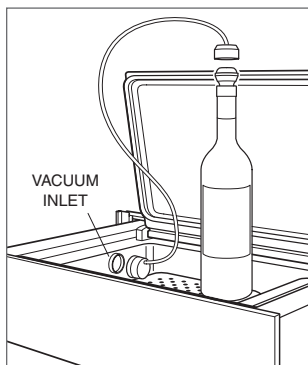
AUXILIARY ATTACHMENT

The auxiliary attachment provided can be used to vacuum seal wine bottles and other rigid containers.

To Vacuum Seal Rigid Containers:


- 1 Place the unit adapter and wine bottle adapter onto opposite ends of the vacuum hose.
- 2 Place the unit adapter over the vacuum inlet in the vacuum chamber. Refer to the illustration below.
- 3 Place a bottle stopper in the wine bottle.
- 4 Place the bottle adapter over the stopper.
- 5 Touch AUX VAC multiple times to select the desired vacuum level. Use level 1 for all bottles and rigid containers unless otherwise specified for the container.
- 6 Touch START to initiate the vacuum cycle.
- 7 An audible signal indicates the process is complete.

NOTE: When AUX VAC is touched, the lights indicating the VACUUM and SEAL level will turn off. To resume normal operation, select a VACUUM setting.




Auxiliary attachment

PUMP DEHUMIDIFICATION CYCLE

Moisture can build up in the vacuum pump oil, which could damage the unit. Run a pump dehumidification cycle when  appears on the display.

To Remove Moisture from the Vacuum Pump:

- 1 Touch .
- 2 The pump cycles for approximately 10 minutes.
- 3 Once complete, the unit turns off.
- 4 Allow the unit to cool for 1 hour before starting another cycle.

Care Recommendations

CLEANING

Stainless steel	Use a nonabrasive stainless steel cleaner and apply with a soft lint-free cloth. To bring out the natural luster, lightly wipe the surface with a water-dampened microfiber cloth followed by a dry polishing chamois. Always follow the grain of the stainless steel.
Glass lid	Spray glass cleaner on a cloth to clean.
Control panel	Use a spray degreaser to remove fingerprints and food soil. Spray on a cloth before wiping the control panel. IMPORTANT NOTE: Do not spray cleaners directly on the control panel.
Interior	Wipe with a soft damp cloth. Clean the interior and drawer liner with hot water and a mild detergent.

Troubleshooting

OPERATION

Unit does not operate.

- Verify power is on.
- Verify electrical power to the unit and home circuit breaker is on.
- Allow the unit to cool for 2 minutes after every vacuum cycle.
- Allow the unit to cool for 1 hour after every pump dehumidification cycle.

Vacuum bag is not sealing correctly.

- Select the next highest vacuum level.
- Use a new bag.
- Verify the bag is correctly positioned on the sealing pad.
- Verify the seal area of the bag is clean, dry, and free of any bag contents.

Lid will not open.


- Wait until the vacuum cycle is complete and ventilated.

Unit cannot reach the desired pressure.

- Apply light pressure to the lid when starting the vacuum cycle.
- Verify the lid gasket and contact surface are clean.
- Select the next lowest vacuum level.
- Verify the bag is correctly positioned on the sealing pad.

Contents start to boil during the vacuum cycle.

- Select a lower vacuum setting.
- Touch SEAL to stop the vacuum process and immediately seal the bag.

 illuminates.

- Initiate a pump dehumidification cycle.

 illuminates.

- Clean the lid gasket with a damp cloth.
- Close the lid and press down.

SERVICE

- Maintain the quality built into your product by contacting Wolf Factory Certified Service. For the name of the nearest Wolf Factory Certified Service, check the contact and support section of our website, wolfappliance.com, or call Wolf Customer Care at 800-222-7820.
- When contacting service, you will need the model and serial number of your product. Both numbers are listed on the product rating plate. Refer to page 5 for rating plate location.
- For warranty purposes, you will also need the date of installation and name of your authorized Wolf dealer. This information should be recorded on page 3 of this guide.

Wolf Appliance Residential Limited Warranty

FOR RESIDENTIAL USE

FULL TWO YEAR WARRANTY*

For two years from the date of original installation, this Wolf Appliance product warranty covers all parts and labor to repair or replace, under normal residential use, any part of the product that proves to be defective in materials or workmanship. All service provided by Wolf Appliance under the above warranty must be performed by Wolf factory certified service, unless otherwise specified by Wolf Appliance, Inc. Service will be provided during normal business hours.

LIMITED FIVE YEAR WARRANTY

For five years from the date of original installation, Wolf Appliance will repair or replace the following parts that prove to be defective in materials or workmanship: gas burners (excludes appearance), electric heating elements, blower motors (ventilation hoods), electronic control boards, magnetron tubes and induction generators. If the owner uses Wolf factory certified service, the service provider will repair or replace these parts with the owner paying for all other costs, including labor. If the owner uses non-certified service, the owner must contact Wolf Appliance, Inc. (using the information below) to receive repaired or replacement parts. Wolf Appliance will not reimburse the owner for parts purchased from non-certified service or other sources.

TERMS APPLICABLE TO EACH WARRANTY

The warranty applies only to products installed for normal residential use. The warranty applies only to products installed in any one of the fifty states of the United States, the District of Columbia or the ten provinces of Canada. This warranty does not cover any parts or labor to correct any defect caused by negligence, accident or improper use, maintenance, installation, service or repair.

THE REMEDIES DESCRIBED ABOVE FOR EACH WARRANTY ARE THE ONLY ONES THAT WOLF APPLIANCE, INC. WILL PROVIDE, EITHER UNDER THIS WARRANTY OR UNDER ANY WARRANTY ARISING BY OPERATION OF LAW. WOLF APPLIANCE, INC. WILL NOT BE RESPONSIBLE FOR ANY CONSEQUENTIAL OR INCIDENTAL DAMAGES ARISING FROM THE BREACH OF THIS WARRANTY OR ANY OTHER WARRANTY, WHETHER EXPRESS, IMPLIED OR STATUTORY.

Some states do not allow the exclusion or limitation of incidental or consequential damages, so the above limitation or exclusion may not apply to you. This warranty gives you specific legal rights and you may also have other legal rights that vary from state to state.

To receive parts and/or service and the name of Wolf factory certified service nearest you, contact Wolf Appliance, Inc., P.O. Box 44848, Madison, WI 53744; check the contact & support section of our website, wolfappliance.com, email us at customerservice@subzero.com or call 800-222-7820.

*Stainless steel (doors, panels, handles, product frames and interior surfaces) are covered by a limited 60-day parts and labor warranty for cosmetic defects.

*Replacement filters for ventilation hood recirculating kits are not covered by the product warranty.



Contenido

- 4 Precauciones de seguridad
- 5 Características del cajón de sellado al vacío
- 6 Funcionamiento del cajón de sellado al vacío
- 9 Recomendaciones para el cuidado
- 10 Resolución de problemas
- 11 Garantía de Wolf

Atención al cliente

El modelo y número de serie están impresos en la tarjeta de registro del producto adjunta. Ambos números también aparecen en la placa de datos del producto. Consulte la página 5 para encontrar la placa de datos. Para fines de la garantía, usted también necesitará la fecha de instalación y el nombre de su distribuidor autorizado de Wolf. Guarde la siguiente información para futuras referencias.

INFORMACIÓN DE SERVICIO

Número de modelo

Número de serie

Fecha de la instalación

Nombre de servicio certificado

Número de servicio certificado

Distribuidor autorizado

Número de distribuidor

Si su producto alguna vez necesita servicio, asegúrese de acudir a un proveedor de Servicios certificados de fábrica de Wolf y recomendado por nuestro centro de atención al cliente o seleccione uno de nuestra lista de proveedores en wolfappliance.com/locator. Todos los proveedores de servicios certificados son cuidadosamente seleccionados y rigurosamente capacitados por nosotros.

Aviso importante

Para garantizar que este producto se instale y opere de la forma más segura y eficiente posible, tome nota de los siguientes tipos de información resaltada en este manual:

AVISO IMPORTANTE señala la información que es especialmente importante.

PRECAUCIÓN indica una situación en la que se pueden sufrir heridas leves o provocar daños al producto si no se siguen las instrucciones.

ADVERTENCIA indica peligro de que se produzcan heridas graves o incluso la muerte si no se siguen las precauciones.

AVISO IMPORTANTE: en toda esta guía, las dimensiones entre paréntesis son milímetros, a menos que se especifique lo contrario.

PRECAUCIONES DE SEGURIDAD

Este electrodoméstico está construido de acuerdo con los estándares reconocidos de las reglamentaciones de tecnología y seguridad y está diseñado para uso doméstico para la preparación de alimentos. No está indicado para que lo usen personas con capacidades físicas, sensoriales o mentales reducidas o que carezcan de experiencia o conocimiento, a menos que una persona responsable de su seguridad los supervise o le haya dado instrucciones sobre el uso del electrodoméstico. El uso correcto es esencial para evitar daños o accidentes.

Un electricista calificado debe realizar la instalación y conexión al suministro de electricidad de acuerdo con las instrucciones de instalación provistas.

Guarde esta guía para referencia futura. Si vende el electrodoméstico o se lo da a un tercero, asegúrese que estas instrucciones vayan con el electrodoméstico.

Este producto es exclusivamente para uso doméstico.

▲ ADVERTENCIA

PROPUESTA 65 PARA RESIDENTES DE CALIFORNIA

Cáncer y Daño Reproductivo—
www.P65Warnings.ca.gov

INSTRUCCIONES IMPORTANTES DE PROTECCIÓN

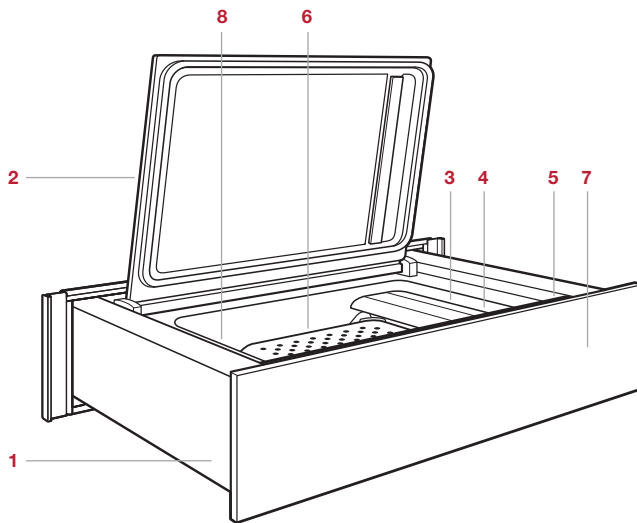
Al utilizar electrodomésticos eléctricos, siempre siga las precauciones básicas de seguridad, entre las que se encuentran:

- Lea todas las instrucciones.
- No use un electrodoméstico con un cable o enchufe dañado, o después que el electrodoméstico funcione mal o se haya dañado de alguna forma. Devuelva el electrodoméstico al centro de servicio autorizado más cercano para su revisión, reparación o ajuste.
- Nunca utilice un limpiador de vapor para limpiar el electrodoméstico.
- No toque las superficies calientes. Use las manijas o perillas.
- No use un detergente agresivo o abrasivo ni raspadores metálicos filosos para limpiar la tapa de vidrio.
- Se requiere supervisión de cerca cuando el electrodoméstico sea usado por niños o cerca de ellos.
- El servicio de garantía debe ser realizado por un centro de servicio certificado de fábrica de Wolf.
- Solo use bolsas de vacío Wolf con este producto.
- No opere la unidad si la superficie de vidrio está rota o agrietada.
- No use el electrodoméstico para un fin que no sea el indicado.
- Guarde estas instrucciones.

Características del cajón de sellado al vacío

CARACTERÍSTICAS

1	Placa de datos del producto
2	Tapa
3	Barra de sellado
4	Grapa de bolsa
5	Panel de control
6	Repisa
7	Apertura de "empujar y halar"
8	Entrada de vacío



Cajón de sellado al vacío

Primeros pasos

Antes de empezar a utilizar su nuevo cajón de sellado al vacío, dedique tiempo para leer este manual de uso y cuidado. Se beneficiará al conocer las prácticas de seguridad, las características, el funcionamiento y las recomendaciones de cuidado de su cajón de sellado al vacío de Wolf.

Para asegurarse de que todo el aceite residual del proceso de fabricación se haya eliminado, limpie a fondo el cajón de sellado al vacío con agua caliente y un detergente suave antes de utilizarlo. Enjuague y seque con un paño suave. Consulte las recomendaciones sobre el cuidado en la página 9.

Bolsas de vacío

⚠ PRECAUCIÓN

Solo use bolsas de vacío Wolf.

Seleccione la bolsa de tamaño adecuado para asegurarse de que el alimento no supere $\frac{2}{3}$ del volumen de la bolsa.

Para asegurarse de que la bolsa se selle correctamente, doble la parte superior de la bolsa hacia abajo aproximadamente 2" (51) antes de llenarla.

Las bolsas de vacío Wolf están aprobadas para cocinar al vacío con un rango de temperatura de -40 °F (-40 °C) a 240 °F (115 °C).

Las bolsas de vacío Wolf se pueden utilizar en el microondas. Perfore la bolsa antes de cocinar.

Panel de control

El panel de control electrónico cuenta con control digital e indicadores LED. Consulte la siguiente ilustración. El panel de control queda oculto cuando el cajón de sellado está cerrado. Abra el cajón para acceder al panel de control.

Los controles incluyen vacío, sellado, vacío auxiliar y ciclo de deshumidificación de la bomba.

INDICADORES	USOS RECOMENDADOS
0	Solo bolsa de sellado
1	Frutas, bayas y líquidos
2	Pescado y verduras
3	Carnes y alimentos congelados

Funcionamiento

VACÍO Y SELLADO

Nivel de vacío: indicado por uno, dos o tres guiones iluminados arriba de VACUUM (VACÍO).

Nivel de sellado: indicado por uno, dos o tres guiones iluminados arriba de SEAL (SELLADO).

⚠ PRECAUCIÓN

Seleccionar un nivel de sello incorrecto puede dañar la barra de sellado. Espere al menos dos minutos entre los ciclos de sellado. Todo el contenido debe estar a temperatura ambiente o por debajo de la misma antes de la operación de sellado.

Para cerrar al vacío y sellar:

- 1 Coloque los alimentos en la bolsa de vacío.
- 2 Abra la tapa y coloque la bolsa en la cámara.
- 3 Coloque el extremo abierto de la bolsa debajo de la grapa de la bolsa. Para bolsas más pequeñas, inserte la repisa para sostener la bolsa durante el sellado.
- 4 Pulse POWER (POTENCIA).
- 5 Pulse VACUUM (VACÍO) varias veces para seleccionar el nivel de vacío deseado.
- 6 Pulse SEAL (SELLADO) varias veces para seleccionar el nivel de sellado deseado.
- 7 Presione la tapa hacia abajo y pulse START (INICIO) para iniciar el proceso de vacío.
- 8 Una señal sonora indica que el proceso ha finalizado.
- 9 Abra la tapa y saque los alimentos.



Panel de control

Funcionamiento

SOLO VACÍO

▲ ADVERTENCIA

Este proceso no está diseñado para hacer conservas o mermelada. Todo el contenido debe estar a temperatura ambiente o por debajo de la misma.

Los frascos de menos de 3" (76) con tapas de rosca se pueden aspirar para eliminar el aire. Una vez que se rompe el sello de vacío, el contenido debe colocarse en el refrigerador.

Solo para vacío:

- 1 Coloque la tapa sobre el frasco, luego apriete ligeramente el anillo y colóquelo en la cámara.
AVISO IMPORTANTE: no apriete demasiado la tapa. El aire debe poder escapar.
- 2 Pulse POWER (POTENCIA).
- 3 Pulse VACUUM (VACÍO) varias veces para seleccionar el nivel de vacío deseado.
- 4 Pulse SEAL (SELLADO) varias veces hasta que no haya indicadores LED iluminados.
- 5 Pulse START (INICIO), luego presione hacia abajo la tapa para iniciar el proceso de vacío.
- 6 Una señal sonora indica que el proceso ha finalizado.
- 7 Abra la tapa y saque el alimento.

SOLO SELLADO

Las bolsas se pueden sellar sin crear un vacío. El vacío hará un ciclo breve durante la operación de sellado solamente para asentar la tapa y asegurar que la barra de sellado esté en contacto con la bolsa.

NOTA IMPORTANTE: Para obtener los mejores resultados, llene las bolsas del sello al vacío a menos de la mitad de su capacidad al sellar alimentos frágiles.

El empaque de alimentos original se puede sellar utilizando la función Solo sello. Ajuste el nivel de sellado de acuerdo con el grosor de la bolsa. Utilice el nivel de sellado 1 para bolsas más delgadas que las bolsas de sellado al vacío Wolf.

Para sellar solamente:

- 1 Coloque los alimentos en la bolsa de vacío.
- 2 Abra la tapa y coloque la bolsa en la cámara.
- 3 Coloque el extremo abierto de la bolsa debajo de la grapa de la bolsa. Para bolsas más pequeñas, inserte la repisa para sostener la bolsa durante el sellado.
- 4 Pulse POWER (POTENCIA).
- 5 Pulse VACUUM (VACÍO) varias veces hasta que no haya indicadores LED iluminados.
- 6 Pulse SEAL (SELLADO) varias veces para seleccionar el nivel de vacío deseado. Use el nivel 2 para todas las bolsas a menos que se especifique lo contrario para la bolsa.
- 7 Presione la tapa hacia abajo y pulse START (INICIO) para iniciar el proceso de vacío.
- 8 Una señal sonora indica que el proceso ha finalizado.
- 9 Abra la tapa y saque el alimento.

Funcionamiento

ACCESORIO AUXILIAR

El accesorio auxiliar provisto puede usarse para generar vacío en botellas de vino y otros recipientes rígidos.

Para sellar al vacío recipientes rígidos


- 1 Coloque el adaptador de la unidad y el adaptador de la botella de vino en los extremos opuestos de la manguera de vacío.
- 2 Coloque el adaptador de la unidad sobre la entrada de vacío en la cámara de vacío. Consulte la siguiente ilustración.
- 3 Coloque un tapón de botella en la botella de vino.
- 4 Coloque el adaptador de la botella sobre el tapón.
- 5 Pulse AUX VAC (VACÍO AUXILIAR) varias veces para seleccionar el nivel de vacío deseado. Use el nivel 1 para todas las bolsas y recipientes rígidos a menos que se especifique lo contrario para el recipiente.
- 6 Pulse START (INICIO) para iniciar el ciclo de vacío.
- 7 Una señal sonora indica que el proceso ha finalizado.

NOTA: Cuando se pulsa AUX VAC (VACÍO AUXILIAR), las luces que indican el nivel de VACÍO y SELLADO se apagarán. Para reanudar el funcionamiento normal, seleccione una configuración VACUUM (VACÍO).




Accesorio auxiliar

CICLO DE DESHUMIDIFICACIÓN DE LA BOMBA

Se puede acumular humedad en el aceite de la bomba de vacío, lo que podría dañar la unidad. Ejecute un ciclo de deshumidificación de la bomba cuando  aparezca en la pantalla.

Para eliminar la humedad de la bomba de vacío:

- 1 Pulse .
- 2 El ciclo de la bomba dura aproximadamente 10 minutos.
- 3 Cuando haya terminado, la unidad se apagará.
- 4 Deje que la unidad se enfríe durante 1 hora antes de comenzar otro ciclo.

Recomendaciones para el cuidado

LIMPIEZA

Acero inoxidable	Utilice un limpiador no abrasivo para acero inoxidable y aplique con un paño suave que no deje pelusa. Para resaltar el lustre natural, limpie suavemente la superficie con una tela de microfibra humedecida con agua y, luego, pule en seco con una gamuza. Siempre siga la dirección del acabado de acero inoxidable.
Tapa de vidrio	Rocíe líquido limpiador de cristales en un paño para limpiar.
Panel de control	Utilice desengrasante en aerosol para retirar las marcas de los dedos y los residuos de alimentos. Rocíe el producto en un paño antes de limpiar el panel. AVISO IMPORTANTE: no aplique limpiadores directamente sobre el panel de control.
Interior	Limpie con un paño suave y húmedo. Limpie el interior del cajón y el forro con agua caliente y detergente suave.

Solución de problemas

FUNCIONAMIENTO

La unidad no funciona.

- Compruebe que esté encendida.
- Compruebe que la corriente eléctrica a la unidad y el disyuntor de la casa estén encendidos.
- Deje que la unidad se enfríe durante 2 minutos después de cada ciclo de vacío.
- Deje que la unidad se enfríe durante 1 hora después de cada ciclo de deshumidificación de la bomba.

La bolsa de vacío no se sella correctamente.

- Seleccione el siguiente nivel de vacío más alto.
- Use una bolsa nueva.
- Verifique que la bolsa esté colocada correctamente en la almohadilla de sellado.
- Verifique que el área del sello de la bolsa esté limpia, seca y libre de cualquier contenido de la bolsa.

La tapa no se abrirá.


- Espere hasta que el ciclo de vacío esté completo y ventilado.

La unidad no puede alcanzar la presión deseada.


- Aplique una ligera presión sobre la tapa cuando comience el ciclo de vacío.
- Verifique que la junta de la tapa y la superficie de contacto estén limpias.
- Seleccione el siguiente nivel de vacío más bajo.
- Verifique que la bolsa esté colocada correctamente en la almohadilla de sellado.

El contenido comienza a hervir durante el ciclo de vacío.

- Seleccione una configuración de vacío más baja.
- Pulse SEAL (SELLADO) para detener el proceso de vacío y sellar la bolsa de inmediato.

 se ilumina.

- Inicie un ciclo de deshumidificación de la bomba.

 se ilumina.

- Limpie la junta de la tapa con un paño húmedo.
- Cierre la tapa y presione hacia abajo.

SERVICIO

- Para mantener la calidad incorporada en su producto, póngase en contacto con el servicio certificado de fábrica de Wolf. Para conocer los datos del centro de servicio certificado de fábrica de Wolf más cercano, consulte la sección de contacto y servicio técnico en nuestro sitio web, wolfappliance.com o bien, llame a la línea de atención al cliente de Wolf al 800-222-7820.
- Al comunicarse con el servicio, necesitará el modelo y el número de serie de su producto. Los dos números aparecen en la placa de datos del producto. Consulte la página 5 para encontrar la placa de datos.
- Para fines de la garantía, también necesitará la fecha de instalación y el nombre de su distribuidor autorizado de Wolf. Esta información debe estar registrada en la página 3 de este manual.

Garantía limitada residencial de Wolf Appliance

PARA USO RESIDENCIAL

GARANTÍA COMPLETA DE DOS AÑOS*

Durante dos años a partir de la fecha de la instalación original, la garantía de su producto Wolf Appliance cubre todas las piezas y mano de obra para reparar o cambiar, de acuerdo con el uso residencial normal, cualquier pieza del producto que se compruebe estar defectuosa en material o mano de obra. Todos los servicios proporcionados por Wolf Appliance bajo la garantía anterior deben ser ejecutados por servicios certificados de fábrica de Wolf, a menos que Wolf Appliance, Inc. lo especifique de otra manera. El Servicio se hará durante el horario comercial normal.

GARANTÍA LIMITADA DE CINCO AÑOS

Durante cinco años a partir de la fecha de la instalación original, Wolf Appliance reparará o cambiará los siguientes componentes que se comprueben estar defectuosos en material o mano de obra: quemadores de gas (excluyendo la apariencia), elementos eléctricos de calentamiento, motores de sopladores (campanas de ventilación), módulos de control eléctrico, tubos magnetrón y generadores de inducción. Si el propietario utiliza el servicio certificado de fábrica de Wolf, el prestador del servicio reparará o reemplazará estas partes mediante el pago de todos los otros costos, incluyendo mano de obra, a cargo del propietario. Si el propietario usa un servicio no certificado, debe ponerse en contacto con Wolf Appliance, Inc. (mediante la información anotada más adelante) para recibir los componentes reparados o de cambio. Wolf Appliance no reembolsará al propietario los importes correspondientes a los componentes comprados a un servicio no autorizado o a otras fuentes.

TÉRMINOS APLICABLES A CADA GARANTÍA

La garantía se aplica solamente a los productos instalados para uso residencial normal. La garantía se aplica solamente a los productos instalados en cualquiera de los cincuenta estados de Estados Unidos, el Distrito de Columbia o las diez provincias de Canadá. Esta garantía no cubre las partes o mano de obra para corregir cualquier defecto causado por negligencia, accidente o uso, mantenimiento, instalación, servicio o reparación inadecuados.

LOS RECURSOS DESCRITOS ANTERIORMENTE PARA CADA GARANTÍA SON LOS ÚNICOS QUE WOLF APPLIANCE, INC. PROPORCIONARÁ, YA SEA BAJO ESTA GARANTÍA O BAJO CUALQUIER GARANTÍA QUE RESULTE DE LA APLICACIÓN DE LA LEY. WOLF APPLIANCE, INC. NO SE HACE RESPONSABLE POR LOS DAÑOS INDIRECTOS O INCIDENTALES DERIVADOS DEL INCUMPLIMIENTO DE ESTA GARANTÍA O CUALQUIER OTRA GARANTÍA, YA SEA EXPRESA, IMPLÍCITA O LEGAL.

Algunos estados no permiten la exclusión o limitación de daños fortuitos o imprevistos, por lo que la limitación o exclusión anterior podría no aplicar a su caso. Esta garantía le otorga derechos legales específicos y usted también puede tener otros derechos legales que varían entre estados.

Para recibir las partes o el servicio y el nombre del servicio certificado de fábrica de Wolf más cercano a usted, póngase en contacto con Wolf Appliance, Inc., P.O. Box 44848, Madison, WI 53744; eche un vistazo a la sección de contacto y servicio técnico en nuestro sitio web, wolfappliance.com, envíenos un correo electrónico a customerservice@subzero.com o llame al 800-222-7820.

*Las puertas, paneles, asas, marcos y superficies internas de acero inoxidable están cubiertas por una garantía limitada de 60 días para repuestos y mano de obra, por defectos cosméticos.

*Los filtros de repuesto para los kits de circulación de la campana de ventilación no están cubiertos por la garantía del producto.



Table des matières

- 4 Précautions de sécurité
- 5 Caractéristiques du tiroir de scellement sous vide
- 6 Fonctionnement du tiroir de scellement sous vide
- 9 Conseils d'entretien
- 10 Dépannage
- 11 Garantie Wolf

Service à la clientèle

Le numéro de modèle et le numéro de série sont imprimés sur la fiche d'enregistrement du produit ci-jointe. Les deux numéros sont aussi indiqués sur la plaque signalétique du produit. Reportez-vous à la page 5 pour connaître l'emplacement de la plaque signalétique. Pour les besoins de la garantie, vous devrez aussi avoir la date d'installation et le nom de votre dépositaire Wolf autorisé. Inscrivez ces renseignements ci-dessous pour consultation ultérieure.

RENSEIGNEMENTS SUR LE SERVICE

Numéro de modèle

Numéro de série

Date de l'installation

Nom du service certifié

Numéro du service certifié

Dépositaire autorisé

Numéro du dépositaire

Si votre produit a besoin d'être réparé, assurez-vous d'utiliser un fournisseur de service certifié par l'usine Wolf recommandé par notre centre de service à la clientèle, ou sélectionnez-en un parmi la liste de fournisseurs disponibles à wolfappliance.com/locator. Tous les fournisseurs de service certifiés par l'usine sont soigneusement sélectionnés et rigoureusement formés par nous.

Remarque importante

Pour s'assurer que ce produit est installé et utilisé en toute sécurité et aussi efficacement que possible, prenez note des types de renseignement mis en évidence tout au long de ce guide :

REMARQUE IMPORTANTE met en évidence des renseignements qui sont particulièrement importants.

MISE EN GARDE indique une situation où une blessure mineure ou des dommages au produit peuvent se produire si les directives ne sont pas respectées.

AVERTISSEMENT décrit un danger qui peut causer une blessure grave ou la mort si les précautions ne sont pas respectées.

REMARQUE IMPORTANTE : Tout au long de ce guide, les dimensions entre parenthèses sont en millimètres à moins d'indication contraire.

PRÉCAUTIONS DE SÉCURITÉ

Cet appareil a été fabriqué pour atteindre des normes reconnues dans les domaines de la technologie et de la sécurité et a été conçu pour une utilisation à la maison pour la préparation des aliments. Il n'a pas été conçu pour une utilisation par des personnes de capacités physiques, sensorielles ou intellectuelles réduites, ou par des personnes manquant d'expérience ou de connaissances, à moins d'être supervisées ou d'avoir reçu des directives concernant l'utilisation de l'appareil par une personne responsable de leur sécurité. Une utilisation correcte est essentielle pour éviter les dommages ou les accidents.

L'installation et la connexion à l'alimentation électrique doivent être effectuées par un électricien qualifié, conformément aux directives d'installation fournies.

Veillez conserver ce guide pour toute référence ultérieure. Si vous vendez l'appareil ou le transmettez à un tiers, veuillez vous assurer de joindre ces directives à l'appareil.

Cet appareil n'est destiné qu'à un usage domestique.

▲ AVERTISSEMENT

PROPOSITION 65 POUR RESIDENTS DE LA CALIFORNIE

Cancer et Troubles de l'appareil reproducteur—
www.P65Warnings.ca.gov

MESURES DE PROTECTION IMPORTANTES

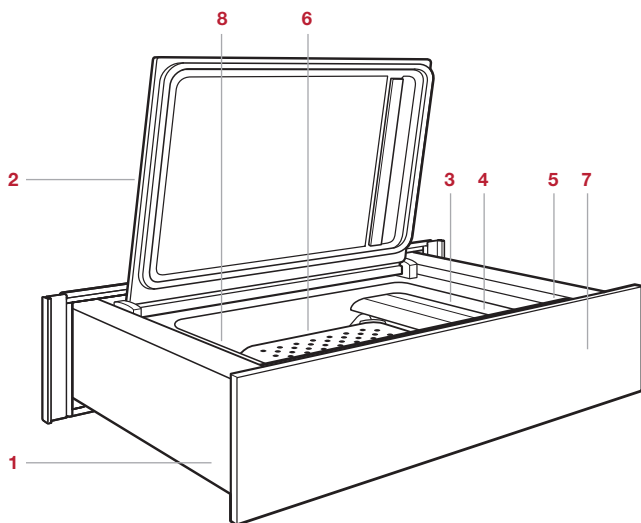
Lorsque vous utilisez des appareils électriques, prenez toujours des précautions de sécurité de base, y compris les suivantes :

- Lisez toutes les directives.
- Ne faites pas fonctionner un appareil avec une prise ou un cordon d'alimentation endommagés, ou si l'appareil ne fonctionne pas correctement ou s'il a été endommagé de quelque manière que ce soit. Retournez l'appareil au centre de service autorisé le plus proche pour tout examen, réparation ou réglage.
- N'utilisez jamais un nettoyeur à vapeur pour nettoyer l'appareil.
- Ne touchez pas aux surfaces chaudes. Utilisez des poignées ou les boutons.
- N'utilisez pas des détergents abrasifs ou agressifs ou un grattoir métallique pour nettoyer le couvercle en verre.
- Une surveillance attentive est nécessaire lorsqu'un appareil est utilisé par des enfants ou à leur proximité.
- Le service de garantie doit être effectué par un centre de service Wolf certifié par l'usine.
- Utilisez uniquement des sacs sous vide de Wolf avec ce produit.
- Ne faites pas fonctionner l'unité si la surface en verre est brisée ou craquelée.
- N'utilisez pas l'appareil pour des usages autres que celui prévu.
- Conservez ces directives.

Caractéristiques du tiroir de scellement sous vide

CARACTÉRISTIQUES

1	Plaque signalétique du produit
2	Couvercle
3	Barre de scellement
4	Pince à sac
5	Panneau de commande
6	Tablette
7	Ouverture de tiroir pousser-tirer
8	Entrée d'aspiration



Tiroir de scellement sous vide

Comment commencer

Avant de commencer à utiliser votre nouveau tiroir de scellement sous vide, veuillez prendre quelques minutes pour lire ce guide d'utilisation et d'entretien. Il est dans votre intérêt de vous familiariser avec les pratiques de sécurité, les caractéristiques, le fonctionnement et les recommandations d'entretien de votre tiroir de scellement sous vide de Wolf.

Pour s'assurer que toute l'huile résiduelle du processus de fabrication a été enlevée, nettoyez le tiroir de scellement sous vide à fond avec de l'eau chaude et un détergent doux avant de l'utiliser. Rincez et séchez avec un chiffon doux. Reportez-vous aux recommandations d'entretien à la page 9.

Sacs sous vide

⚠ MISE EN GARDE

Utilisez uniquement des sacs sous vide de Wolf.

Sélectionnez la taille de sac appropriée pour vous assurer que les aliments ne dépassent pas les deux tiers du volume du sac.

Pour vous assurer que le sac sera scellé correctement, repliez la partie supérieure du sac d'environ 2 po (51) avant de le remplir.

Les sacs sous vide de Wolf sont approuvés pour la cuisson sous vide à une température variant entre -40 et 240 °F (-40 et 115 °C).

Les sacs sous vide de Wolf peuvent être utilisés dans un four à micro-ondes. Percez le sac avant de le faire cuire.

Panneau de commande

Le panneau de commande électronique comprend des commandes tactiles et des indicateurs à DEL. Reportez-vous à l'illustration ci-dessous. Le panneau de commande est caché lorsque le tiroir de scellement sous vide est fermé. Ouvrez le tiroir pour accéder au panneau de commande.

Le panneau comprend des commandes pour l'aspiration, le scellement, l'aspiration auxiliaire et le cycle de déshumidification de la pompe.

INDICATEURS	USAGES RECOMMANDÉS
0	Sceller le sac seulement
1	Fruits, baies et liquides
2	Poisson et légumes
3	Viandes et aliments surgelés

Fonctionnement

ASPIRER ET SCCELLER

Niveau d'aspiration : Indiqué par un, deux ou trois tirets illuminés au-dessus du mot VACUUM (aspiration).

Niveau de scellement : Indiqué par un, deux ou trois tirets illuminés au-dessus du mot SEAL (scellement).

⚠ MISE EN GARDE

Sélectionner un mauvais niveau de scellement peut endommager la barre de scellement. Attendez au moins deux minutes entre les cycles de scellement. Le contenu doit être à la température de la pièce ou une température inférieure avant d'effectuer l'opération de scellement.

Pour aspirer et sceller :

- 1 Placez les aliments dans un sac sous vide.
- 2 Ouvrez le couvercle et placez le sac dans la cavité.
- 3 Placez l'extrémité ouverte du sac sous la pince à sac. Pour les sacs plus petits, insérez la tablette pour soutenir le sac durant le scellement.
- 4 Appuyez sur la touche POWER (alimentation).
- 5 Appuyez sur VACUUM (aspiration) plusieurs fois pour sélectionner le niveau d'aspiration désiré.
- 6 Appuyez sur SEAL (scellement) plusieurs fois pour sélectionner le niveau de scellement désiré.
- 7 Fermez le couvercle et appuyez sur START (marche) pour initier le processus d'aspiration.
- 8 Un signal audible vous indique que le processus est terminé.
- 9 Ouvrez le couvercle et retirez les aliments.



Panneau de commande

Fonctionnement

ASPIRER SEULEMENT

▲ AVERTISSEMENT

Ce processus n'est pas conçu pour la mise en conserve ou faire des confitures. Le contenu doit être à la température de la pièce ou une température inférieure.

Les pots mesurant moins de 3 po (76) avec des couvercles à visser peuvent être aspirés pour éliminer l'air. Une fois le scellement hermétique brisé, le contenu doit être mis au réfrigérateur.

Pour aspirer seulement :

- 1 Placez le couvercle sur le pot, puis serrez légèrement l'anneau et placez dans la cavité.
REMARQUE IMPORTANTE : Ne serrez pas trop le couvercle. De l'air doit pouvoir s'échapper.
- 2 Appuyez sur la touche POWER (alimentation).
- 3 Appuyez sur VACUUM (aspiration) plusieurs fois pour sélectionner le niveau d'aspiration désiré.
- 4 Appuyez sur SEAL (scellement) plusieurs fois jusqu'à ce que les indicateurs à DEL ne soient plus allumés.
- 5 Appuyez sur START (marche), puis enfoncez le couvercle pour initier le processus d'aspiration.
- 6 Un signal audible vous indique que le processus est terminé.
- 7 Ouvrez le couvercle et retirez les aliments.

SCELLER SEULEMENT

Des sacs peuvent être scellés sans aspiration. L'aspiration s'activera brièvement durant l'opération de scellement seulement pour appuyer le couvercle et s'assurer que la barre de scellement est en contact avec le sac.

REMARQUE IMPORTANTE: Pour de meilleurs résultats, remplissez les sacs d'étanchéité à vide à moins de la moitié lorsque vous scellez des aliments fragiles.

L'emballage alimentaire d'origine peut être scellé à l'aide de la fonction Seal Only. Ajuster le niveau d'étanchéité en fonction de l'épaisseur du sac. Utilisez le niveau de scellé 1 pour les sacs plus minces que les sacs à fermeture hermétique Wolf.

Pour sceller seulement :

- 1 Placez les aliments dans un sac sous vide.
- 2 Ouvrez le couvercle et placez le sac dans la cavité.
- 3 Placez l'extrémité ouverte du sac sous la pince à sac. Pour les sacs plus petits, insérez la tablette pour soutenir le sac durant le scellement.
- 4 Appuyez sur la touche POWER (alimentation).
- 5 Appuyez sur VACUUM (aspiration) plusieurs fois jusqu'à ce que les indicateurs à DEL ne soient plus allumés.
- 6 Appuyez sur SEAL (scellement) plusieurs fois pour sélectionner le niveau de scellement désiré. Utilisez le niveau 2 pour tous les sacs, à moins d'indication contraire pour le sac.
- 7 Fermez le couvercle et appuyez sur START (marche) pour initier le processus d'aspiration.
- 8 Un signal audible vous indique que le processus est terminé.
- 9 Ouvrez le couvercle et retirez les aliments.

Fonctionnement

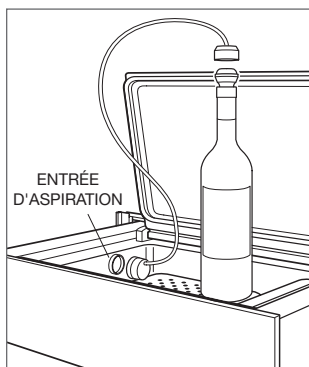
ACCESSOIRE AUXILIAIRE

L'accessoire auxiliaire fourni peut être utilisé pour sceller sous vide des bouteilles de vin et d'autres contenants rigides.

Pour sceller sous vide des contenants rigides :


- 1 Placez l'adaptateur d'unité et l'adaptateur de bouteille de vin sur les extrémités opposées du tuyau d'aspiration.
- 2 Placez l'adaptateur d'unité sur l'entrée d'aspiration dans la cavité d'aspiration. Reportez-vous à l'illustration ci-dessous.
- 3 Placez un bouchon de bouteille dans la bouteille de vin.
- 4 Placez l'adaptateur de bouteille sur le bouchon.
- 5 Appuyez sur AUX VAC (aspiration auxiliaire) plusieurs fois pour sélectionner le niveau d'aspiration désiré. Utilisez le niveau 1 pour toutes les bouteilles et les contenants rigides, à moins d'indication contraire pour le contenant.
- 6 Appuyez sur START (marche) pour initier le cycle d'aspiration.
- 7 Un signal audible vous indique que le processus est terminé.

REMARQUE : Lorsque la commande AUX VAC (aspiration auxiliaire) est enfoncée, les voyants indiquant le niveau de VACUUM (aspiration) et SEAL (scellement) seront éteints. Pour reprendre le fonctionnement normal, sélectionnez un réglage VACUUM (aspiration).




Accessoire auxiliaire

CYCLE DE DÉSHUMIDIFICATION DE LA POMPE

De l'humidité peut s'accumuler dans l'huile de la pompe d'aspiration, ce qui peut endommager l'unité. Effectuez un cycle de déshumidification de la pompe lorsque  s'affiche sur l'écran.

Pour éliminer l'humidité de la pompe d'aspiration :

- 1 Appuyez sur .
- 2 La pompe s'active pendant environ 10 minutes.
- 3 Une fois le cycle terminé, l'unité s'éteint.
- 4 Laissez l'unité se refroidir pendant une heure avant d'initier un autre cycle.

Conseils d'entretien

NETTOYAGE

Acier inoxydable	Utilisez un nettoyant non abrasif pour l'acier inoxydable et appliquez-le avec un chiffon doux non pelucheux. Pour faire ressortir le lustre naturel, essuyez légèrement la surface avec un chiffon en microfibre humecté d'eau, suivi d'un chamois à polir sec. Suivez toujours le grain de l'acier inoxydable.
Couvercle en verre	Pulvérisez du nettoyant à vitre sur un chiffon propre.
Panneau de commande	Utilisez un dégraissant pulvérisé pour éliminer les empreintes de doigts et les taches de nourriture. Pulvérisez sur un chiffon avant d'essuyer le panneau. REMARQUE IMPORTANTE : Ne pulvérisez pas les produits à nettoyer directement sur le panneau de commande.
Intérieur	Essuyez avec un chiffon doux et humide. Nettoyez l'intérieur et la doublure du tiroir avec de l'eau chaude et un détergent doux.

Dépannage

FONCTIONNEMENT

L'unité ne fonctionne pas.

- Assurez-vous qu'il y a du courant.
- Vérifiez l'alimentation électrique vers l'unité et que le disjoncteur de la résidence est en marche.
- Laissez l'unité se refroidir pendant deux minutes après chaque cycle d'aspiration.
- Laissez l'unité se refroidir pendant une heure après chaque cycle de déshumidification de la pompe.

Le sac sous vide ne se scelle pas correctement.

- Sélectionnez le niveau d'aspiration plus élevé suivant.
- Utilisez un nouveau sac.
- Vérifiez que le sac est bien placé sur le bloc de scellement.
- Vérifiez que la zone de scellement du sac est propre, sèche et libre de tout aliment.

Le couvercle ne s'ouvre pas.

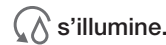
- Attendez que le cycle d'aspiration soit terminé et aéré.

L'unité n'atteint pas la pression désirée.

- Exercez une légère pression sur le couvercle lorsque le cycle d'aspiration est mis en marche.
- Vérifiez que le joint du couvercle et que la surface de contact sont propres.
- Sélectionnez le niveau d'aspiration moins élevé suivant.
- Vérifiez que le sac est bien placé sur le bloc de scellement.

Le contenu commence à bouillir durant le cycle d'aspiration.

- Sélectionnez un réglage d'aspiration inférieur.
- Appuyez sur SEAL (scellement) pour arrêter le processus d'aspiration et sceller le sac immédiatement.



- Initiez un cycle de déshumidification de la pompe.



- Nettoyez le joint du couvercle avec un chiffon humide.
- Fermez le couvercle et appuyez.

SERVICE

- Préservez la qualité intégrée dans votre produit en communiquant avec un centre de service Wolf certifié par l'usine. Pour obtenir le nom du centre de service Wolf certifié par l'usine le plus près, consultez la section Contact et assistance de notre site Web, wolfappliance.com ou appelez le service à la clientèle de Wolf au 800-222-7820.
- Avant d'appeler pour obtenir du service, ayez en main les numéros de modèle et de série de votre produit. Les deux numéros sont indiqués sur la plaque signalétique du produit. Reportez-vous à la page 5 pour connaître l'emplacement de la plaque signalétique.
- Pour les besoins de la garantie, vous devrez aussi avoir la date d'installation et le nom de votre dépositaire Wolf autorisé. Ces renseignements doivent être notés à la page 3 de ce guide.

Garantie limitée résidentielle Wolf Appliance

POUR UTILISATION RÉSIDENIELLE

GARANTIE COMPLÈTE DE DEUX ANS*

Pendant deux ans à compter de la date d'installation originale, cette garantie de produit Wolf Appliance couvre toutes les pièces et la main d'œuvre pour réparer ou remplacer, selon un usage résidentiel normal, toute partie du produit qui s'avérerait défectueuse en vertu des matériaux ou de la fabrication. Tout service fourni par Wolf Appliance en vertu de la garantie ci-dessus doit être effectué par un centre de service Wolf certifié par l'usine, à moins d'indication contraire de la part de Wolf Appliance, Inc. Le service sera fourni pendant les heures normales d'affaires.

GARANTIE LIMITÉE DE CINQ ANS

Pendant cinq ans à compter de la date originale d'installation, Wolf Appliance réparera les pièces suivantes qui s'avèreront défectueuses en vertu des matériaux ou de la fabrication : les brûleurs au gaz (sauf l'apparence), les éléments de chauffage électrique, les moteurs de soufflerie (hottes de ventilation), les circuits de contrôle électronique, les tubes magnétrons et les génératrices à induction. Si le propriétaire utilise le service Wolf certifié par l'usine, le fournisseur de service réparera ou remplacera ces pièces et le propriétaire paiera pour tous les autres frais, y compris la main d'œuvre. Si le propriétaire utilise un service non certifié, il doit communiquer avec Wolf Appliance, Inc. (avec les renseignements ci-dessous) pour obtenir des pièces réparées ou de rechange. Wolf Appliance ne remboursera pas le propriétaire pour les pièces achetées d'un service non certifié ou d'autres sources.

CONDITIONS S'APPLIQUANT À CHAQUE GARANTIE

La garantie s'applique uniquement aux produits installés pour un usage résidentiel normal. La garantie s'applique seulement aux produits installés dans l'un des cinquante états des États-Unis, dans le District of Columbia ou les dix provinces du Canada. Cette garantie ne couvre pas les pièces ou la main d'œuvre pour corriger tout défaut causé par de la négligence, un accident ou une utilisation, un entretien, une installation, un service ou une réparation inappropriés.

LES REMÈDES DÉCRITS CI-DESSUS POUR CHAQUE GARANTIE SONT LES SEULS QUI SONT OFFERTS PAR WOLF APPLIANCE, INC. EN VERTU DE CETTE GARANTIE OU EN VERTU DE TOUTE GARANTIE DÉCOULANT DE L'OPÉRATION DE LA LOI. WOLF APPLIANCE, INC. NE SERA PAS RESPONSABLE DES DOMMAGES INDIRECTS OU CONSÉCUTIFS DÉCOULANT DE LA VIOLATION À CETTE GARANTIE OU À TOUTE GARANTIE, EXPRESSE, IMPLICITE OU LÉGALE.

Certaines provinces ne permettent pas l'exclusion ou la restriction des dommages indirects ou consécutifs, par conséquent, la limite ou l'exclusion ci-dessus peut ne pas s'appliquer à votre cas. Cette garantie vous confère des droits légaux précis et vous pouvez aussi avoir d'autres droits légaux qui peuvent varier d'une province à l'autre.

Pour obtenir des pièces et/ou du service et le nom du centre de service Wolf certifié par l'usine le plus près de chez vous, communiquez avec Wolf Appliance, Inc., P.O. Box 44848, Madison, WI 53744 É.-U.; consultez la section Contact et assistance de notre site Web, wolfappliance.com, envoyez-nous un courriel à customerservice@subzero.com ou composez le 800-222-7820.

*L'acier inoxydable (les portes, les panneaux, les poignées, les cadres et les surfaces intérieures) est couvert par une garantie limitée de 60 jours sur les pièces et la main d'œuvre pour toute défectuosité cosmétique.

*Les filtres de rechange pour les trousseaux de remise en circulation de hotte de ventilation ne sont pas couverts par la garantie du produit.





WOLF APPLIANCE, INC. P.O. BOX 44848 MADISON, WI 53744 WOLFAPPLIANCE.COM 800.222.7820

9018837 REV-B

4/2019

