



# Design Guide

## ICBIR Induction Range

ICB REVISED 09/2021



## Table Of Contents

2	Induction Ranges
---	------------------



Features and specifications are subject to change at any time without notice.

Throughout this guide, dimensions may vary by  $\pm 3$  mm.

## Induction Ranges

Experience a new way of cooking with a Wolf induction range. Magnetism allows the ultrafast, energy efficient surface elements to heat up instantly and with perfectly distributed heat. Heat generation stops the instant you turn off the element or remove the pan. The cooktop's surface remains cool. Your kitchen stays cooler too. The electric convection oven with two fans and four heating elements let you select from ten cooking modes and is self-cleaning. Wolf induction ranges are constructed of stainless steel and come in 762 mm and 914 mm widths.

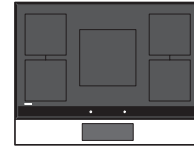
### CONFIGURATIONS

#### 762 mm RANGE



ICBIR30450/S/T

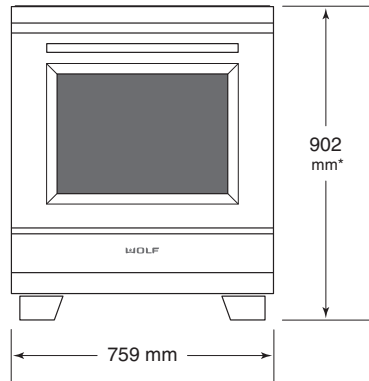
#### 914 mm RANGE



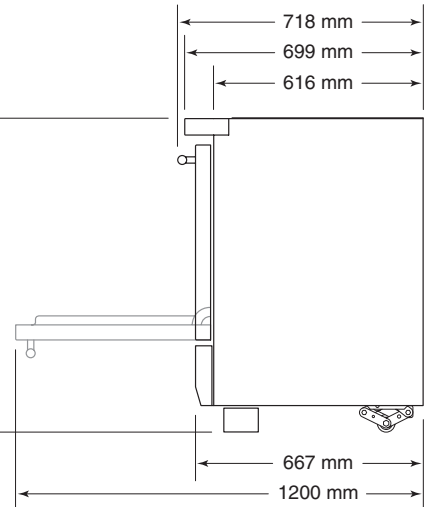
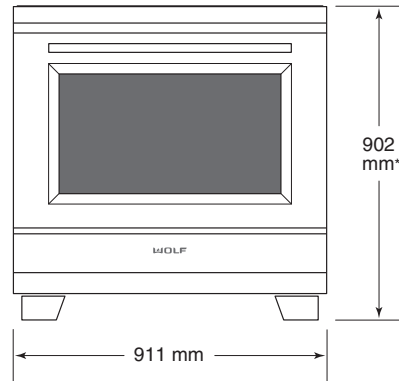
ICBIR36550/S/T

## Overall Dimensions

### 762 mm RANGE



### 914 mm RANGE



\*902 mm MIN TO 965 mm MAX

### 762 mm / 914 mm RANGE SIDE VIEW

## Planning Information

Follow all minimum clearances to combustibile surfaces shown in the illustration on the following page.

### ELECTRICAL REQUIREMENTS

Installation must comply with all applicable electrical codes and be properly grounded (earthed).

Locate the electrical supply flush with the wall or floor and within the shaded area shown in the illustration on the following page. A separate circuit servicing only this appliance is required.

Performance may be compromised if the electrical supply is less than 240 volts.

### ELECTRICAL REQUIREMENTS

Single phase	220–240 V AC, 50/60 Hz
3-phase	380–415 V AC, 50 Hz

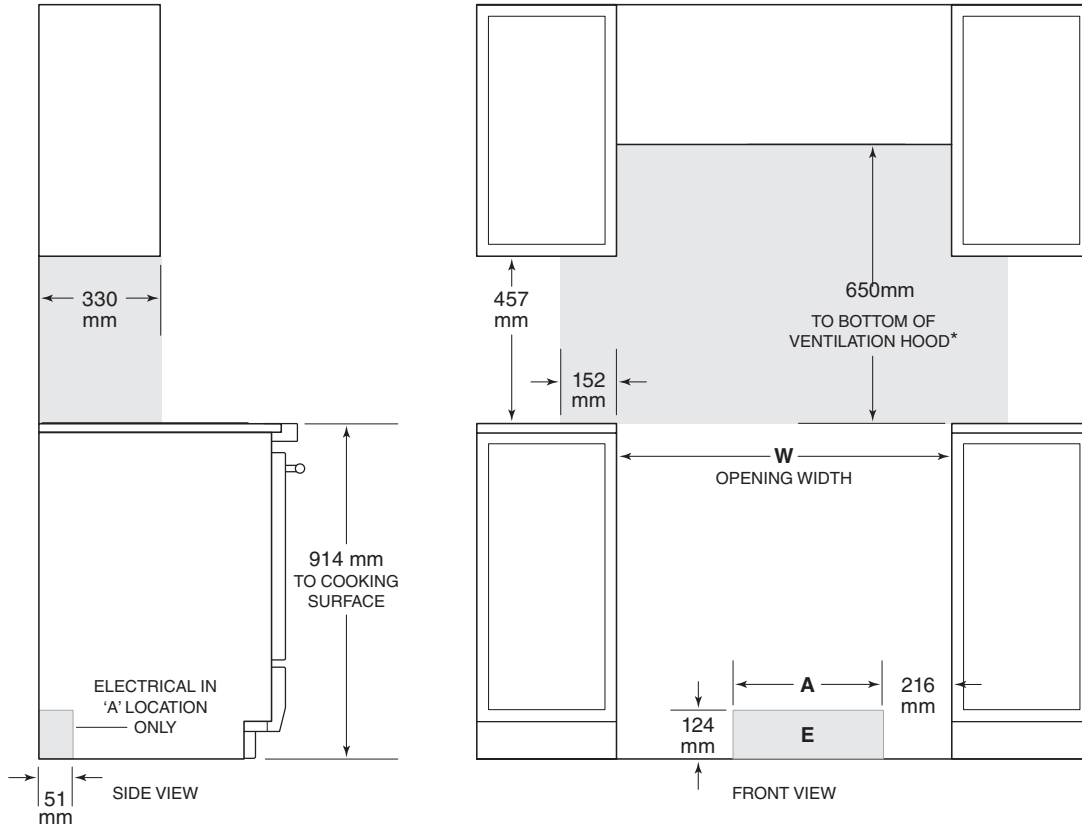
### MAXIMUM CONNECTED LOAD

RANGE	SINGLE PHASE	3-PHASE
762 mm	50 A	19 A
914 mm	60 A	33 A

# Induction Range

## Induction Range

### INSTALLATION



*\*Without ventilation hood, 750mm minimum clearance from cooktop to combustible materials.*

*NOTE: Shaded area above countertop indicates minimum clearance to combustible surfaces, combustible materials cannot be located within this area.*

*For island installation, 305 mm minimum clearance back of range to combustible rear wall above countertop.*

OPENING WIDTH	W	A
762 mm Range	762 mm	260 mm
914 mm Range	914 mm	413 mm

