

SO24TE/S/TH



FEATURES

Control heat and airflow expertly with a convection fan to create just the right cooking environment for everything from Cornish hens to cherry pie to butternut squash

Insert a temperature probe to tell you exactly when it is done—and in Gourmet Mode, it will alert you the moment the dish is ready.

Includes options such as self-clean and quick preheat

Small size and versatile design to fit in any kitchen

Integrates beautifully into surrounding cabinetry with flush installation

Promotes excellent visibility via two bright halogen lights and large, double-panel-glass door windows

ACCESSORIES

Black Side Edge Trim Kit

Full-Extension Rack Guides

Porcelain Baking Sheet

Porcelain Baking Sheet

Pro Handle

Solid Pan - 12 3/4" x 1 1/2" x 7"

Solid Pan - 12 3/4" x 1 1/4" x 14" - Legacy

Solid Pan - 17 3/4" x 1 1/4" x 15" - Legacy

Standard Oven Rack

Temperature Probe - Legacy

Accessories available through an authorized dealer.

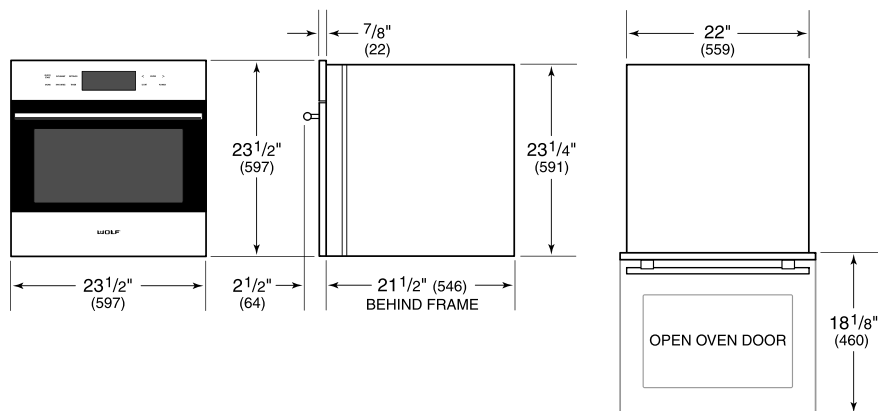
For local dealer information, visit subzero-wolf.com/locator.



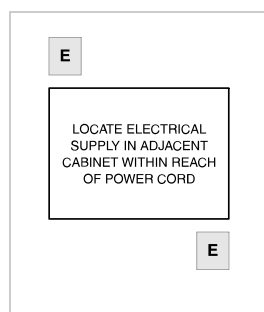
PRODUCT SPECIFICATIONS

Model	SO24TE/S/TH
Dimensions	23 1/2"W x 23 1/2"H x 21 1/2"D
Oven 1 Interior Dimensions	18"W x 13 3/4"H x 16"D
Overall Capacity	2.4 cu. ft.
Usable Capacity	1.6 cu. ft.
Door Clearance	18 1/8"
Weight	119 lbs
Electrical Supply	240/208 VAC, 60 Hz
Electrical Service	20 amp dedicated circuit
Power Cord Length	6 Feet
Receptacle	NEMA 6-20R grounding-type

DIMENSIONS

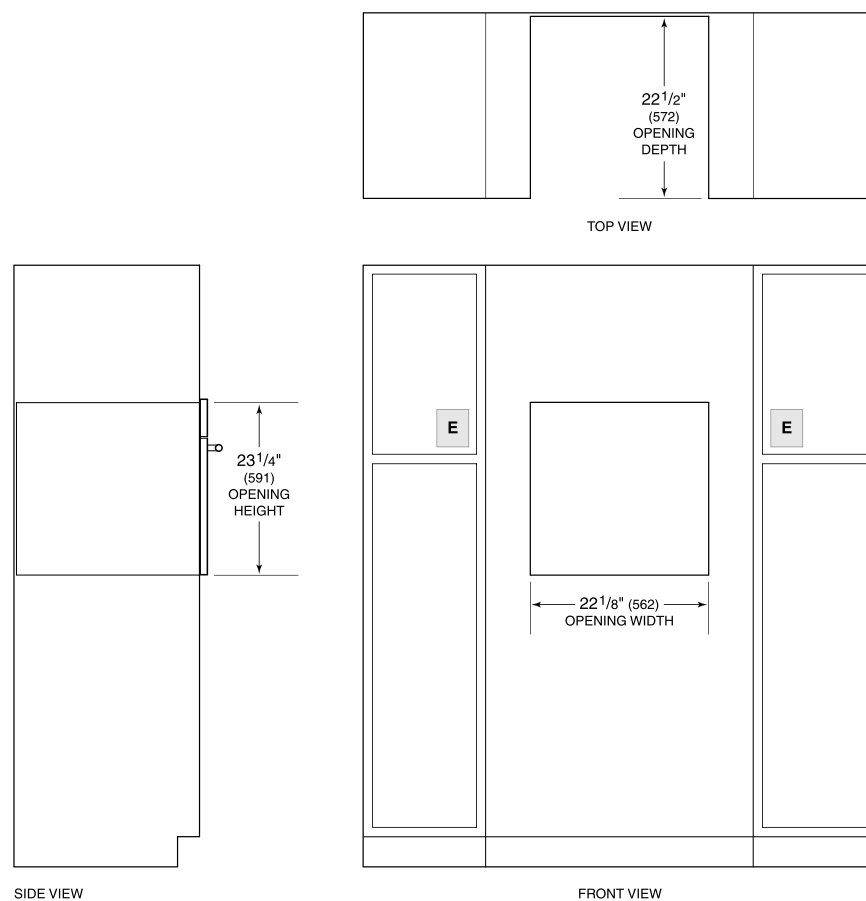


ELECTRICAL



NOTE: Dimensions in parenthesis are in millimeters unless otherwise specified

STANDARD INSTALLATION



NOTE: Electrical supply must be located in adjacent cabinet within 3' (.9 m) of opening.