



Design Guide

Wine Storage

ICB REVISED 3/2022



Wine Storage

Wine finds a well-deserved place of honor in a Sub-Zero wine storage unit. Every detail is designed to ensure better wine preservation. Cherrywood-faced racks, soft lighting, custom cabinetry if desired—Sub-Zero helps make a wine collection an element of beauty in the home.

Features and specifications are subject to change at any time without notice.

Throughout this guide, dimensions may vary by ± 3 mm.

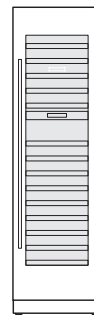
WINE STORAGE MODELS



ICBDEU2450W



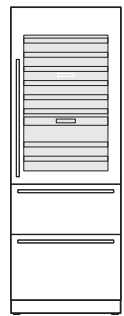
ICBDEC1850W



ICBDEC2450W



ICBDEC3050W



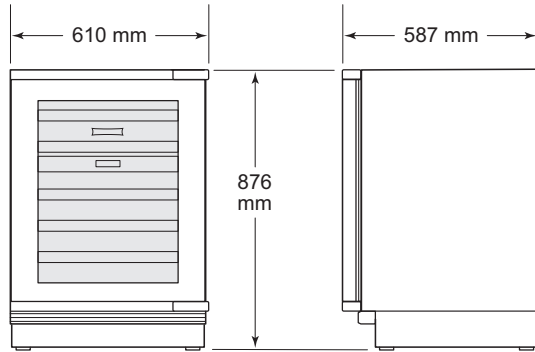
ICBDET3050WR



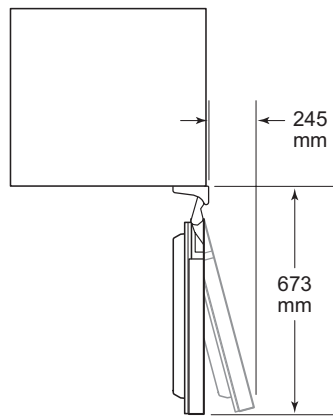
ICBBW-30

Overall Dimensions

MODEL ICBDEU2450W



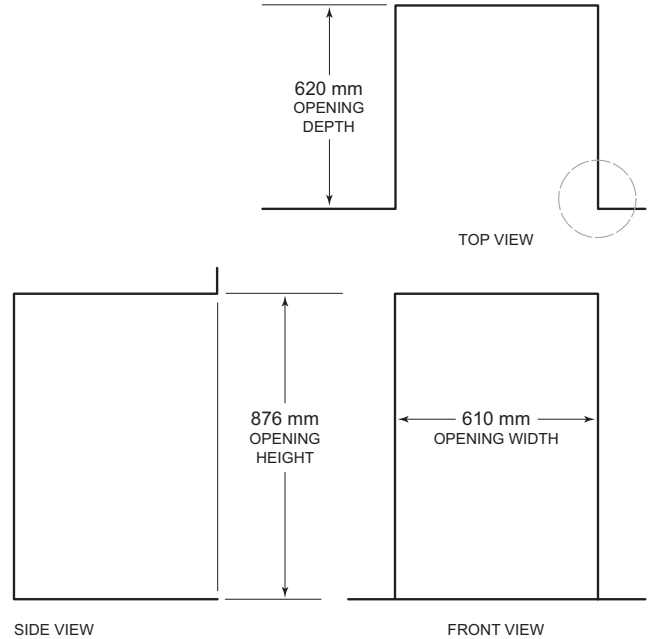
HEIGHT DIMENSIONS ± 13 mm



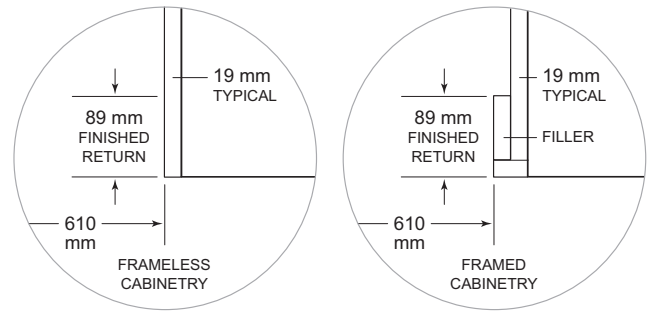
IMPORTANT NOTE: Overall dimensions do not include panels or handles. Dimensions will vary with panel thickness.

Opening Dimensions

MODEL ICBDEU2450W



NOTE: 89 mm finished returns will be visible and should be finished to match cabinetry.



DUAL OPENING WIDTH

W

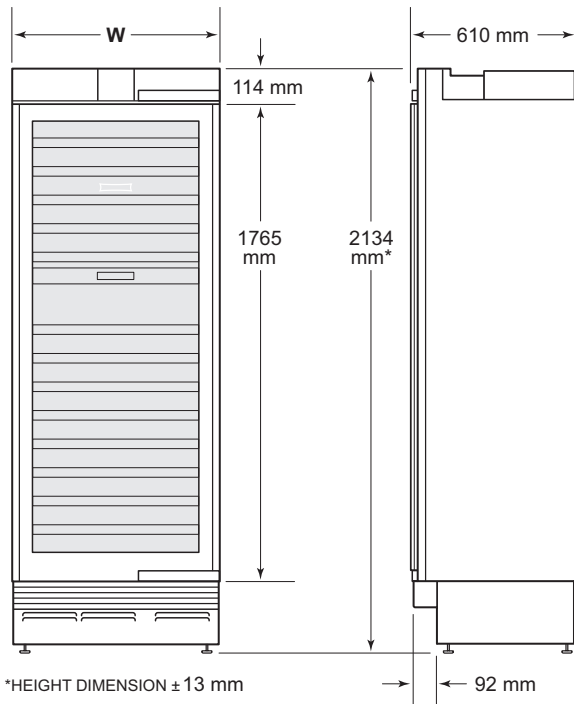
Two 610 mm Models

1222 mm

Dual installation kit required.

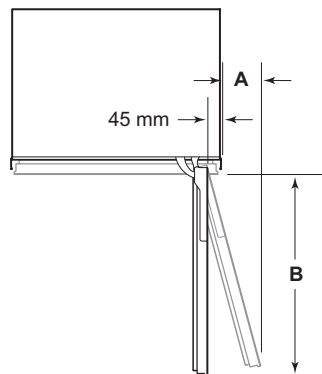
Overall Dimensions

COLUMN WINE



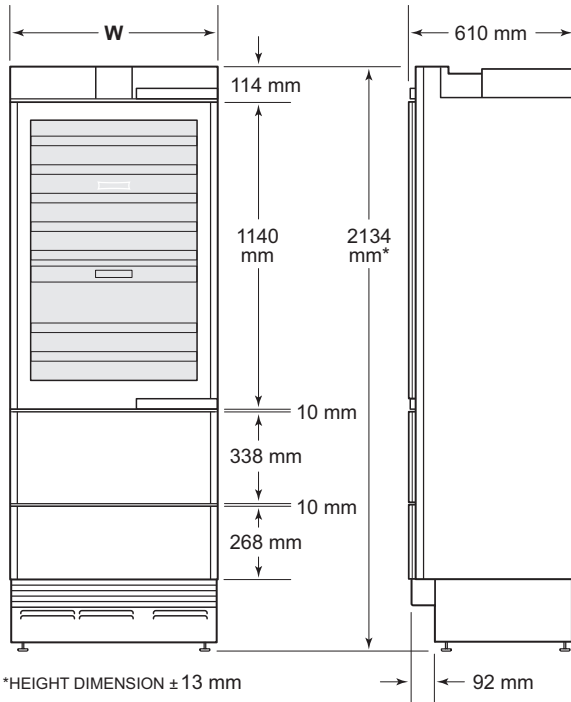
COLUMN	W	A	B
ICBDEC1850W	457 mm	64 mm	419 mm
ICBDEC2450W	610 mm	102 mm	572 mm
ICBDEC3050W	762 mm	143 mm	724 mm

IMPORTANT NOTE: Overall dimensions do not include panels or handles. Dimensions will vary with panel thickness.



Overall Dimensions

TALL WINE



TALL

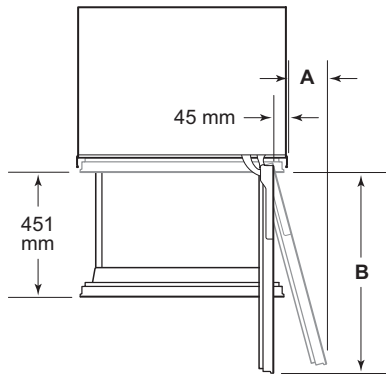
W

A

B

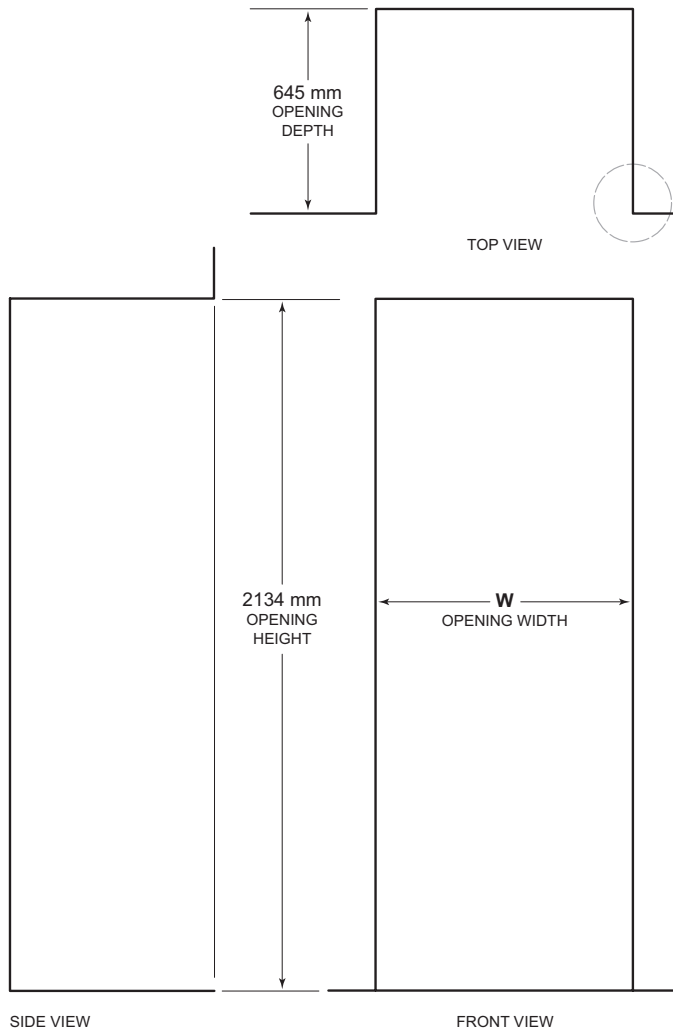
ICBDET3050WR	762 mm	143 mm	724 mm
--------------	--------	--------	--------

IMPORTANT NOTE: Overall dimensions do not include panels or handles. Dimensions will vary with panel thickness.



Opening Dimensions

DESIGNER SERIES WINE STORAGE



OPENING DIMENSIONS

COLUMN	W*
ICBDEC1850W	457 mm
ICBDEC2450W	610 mm
ICBDEC3050W	762 mm
TALL	W*
ICBDET3050WR	762 mm

*For stainless steel side panel accessory, add 25 mm per panel to opening width.

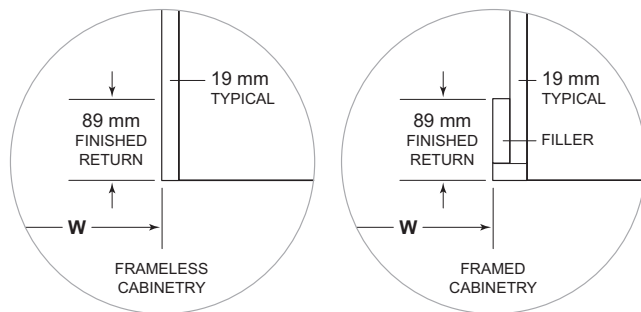
The depth of each model is 610 mm. Allow for panel thickness when planning the finished opening depth. A minimum 89 mm finished return is required on all sides of the opening. Framed cabinets will require additional finished filler material behind the face frame for a proper installation. Refer to the illustration.

DUAL INSTALLATION

The unit can be installed next to a Designer Series refrigeration model or another Designer Series wine storage model in a dual installation. When installing two units side by side, the opening width is the width of the two units added together. A dual installation kit will be required for this installation. If a dual installation kit is not specified, a minimum 51 mm filler strip is required between the units.

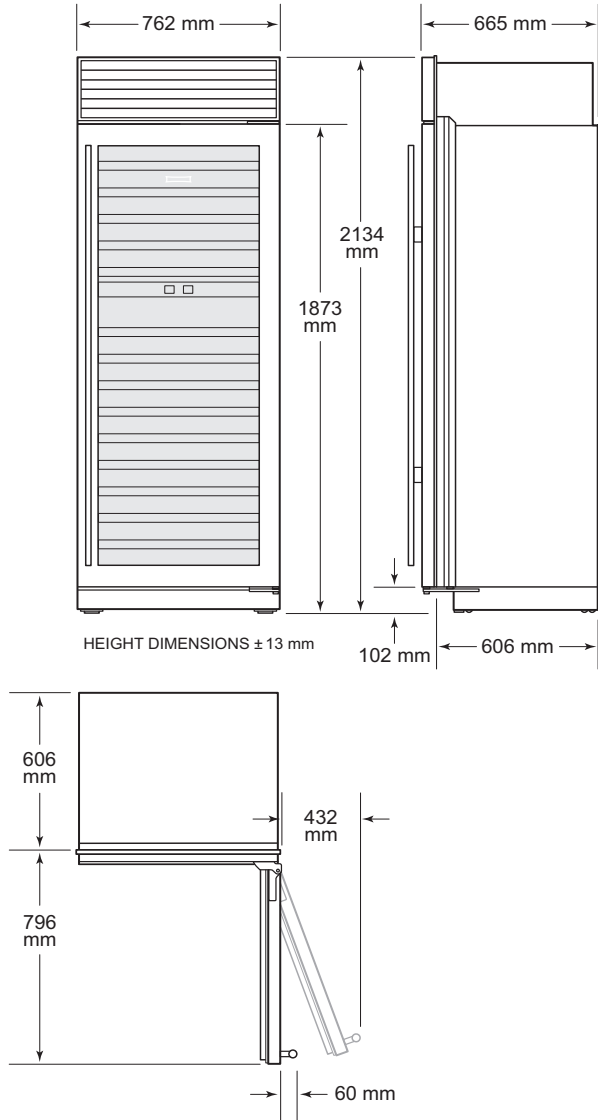
Dual installation kits are available through an authorized Sub-Zero dealer. For questions regarding the installation, contact your authorized Sub-Zero dealer.

NOTE: 89 mm finished returns will be visible and should be finished to match cabinetry.



Overall Dimensions

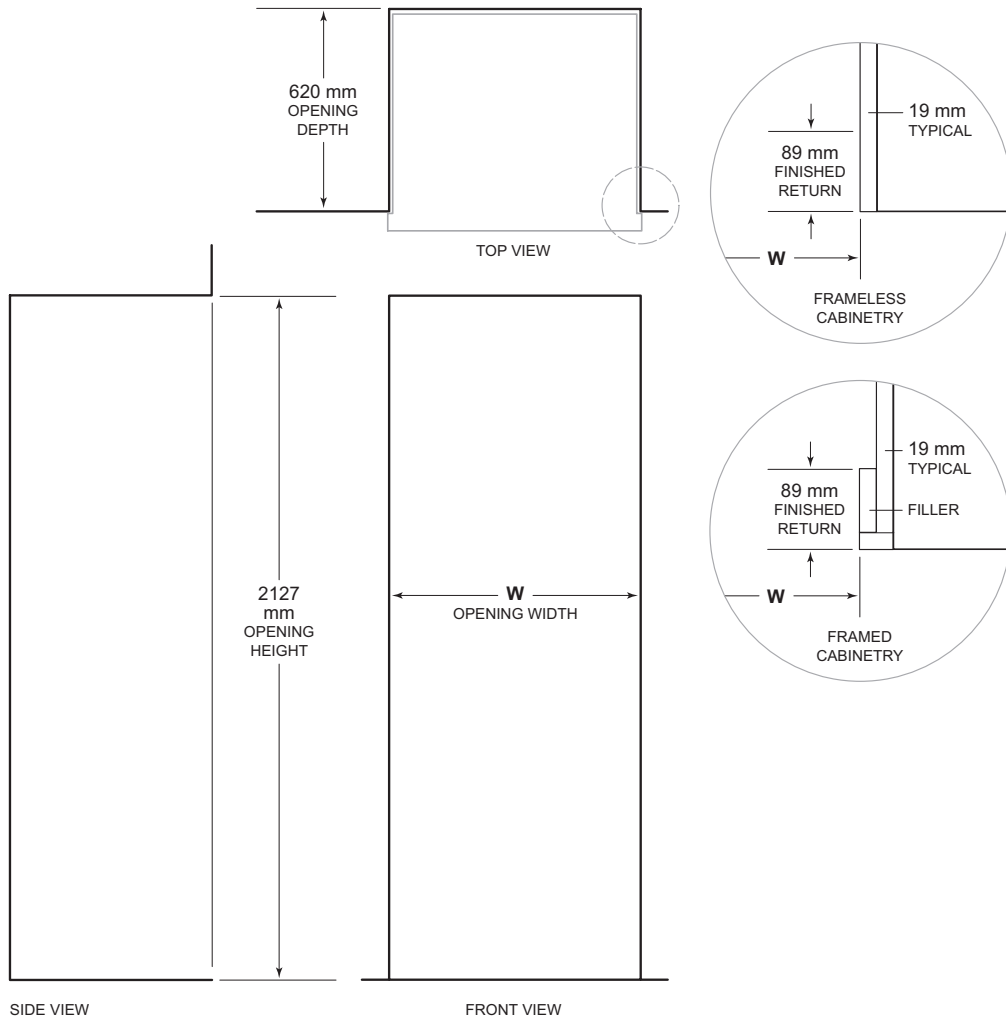
MODEL ICBBW-30



Dimensions are based on the stainless steel model. For flush inset applications, add 13 mm to the door clearance dimensions.

Opening Dimensions

ICBBW-30 STANDARD INSTALLATION



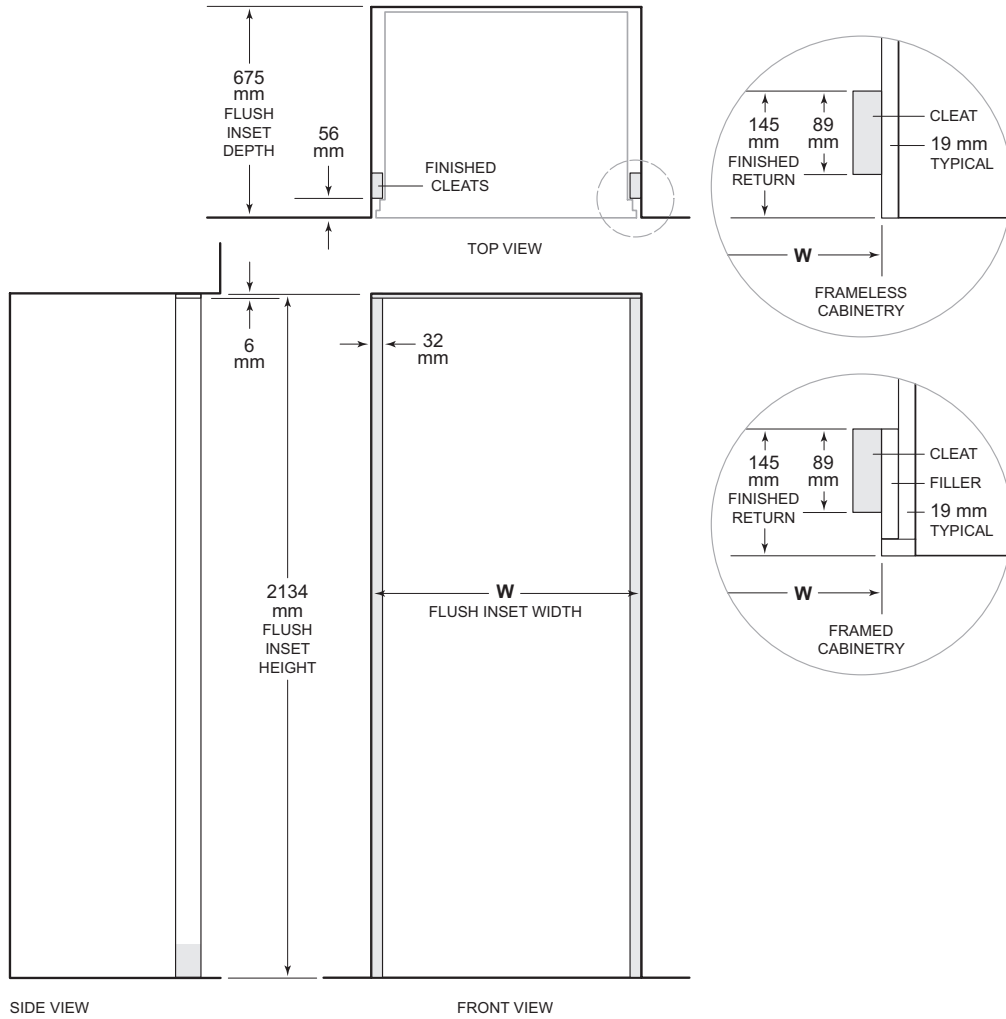
NOTE: 89 mm finished returns will be visible and should be finished to match cabinetry. Shaded line represents profile of unit.

OPENING WIDTH	W
ICBBW-30	749 mm

If two units are installed side by side, refer to page 10 for dual standard installations.

Opening Dimensions

ICBBW-30 FLUSH INSET INSTALLATION



NOTE: 89 mm finished returns and shaded areas will be visible and should be finished to match cabinetry. Shaded line represents profile of unit with 19 mm panel.

FLUSH INSET WIDTH

ICBBW-30

W

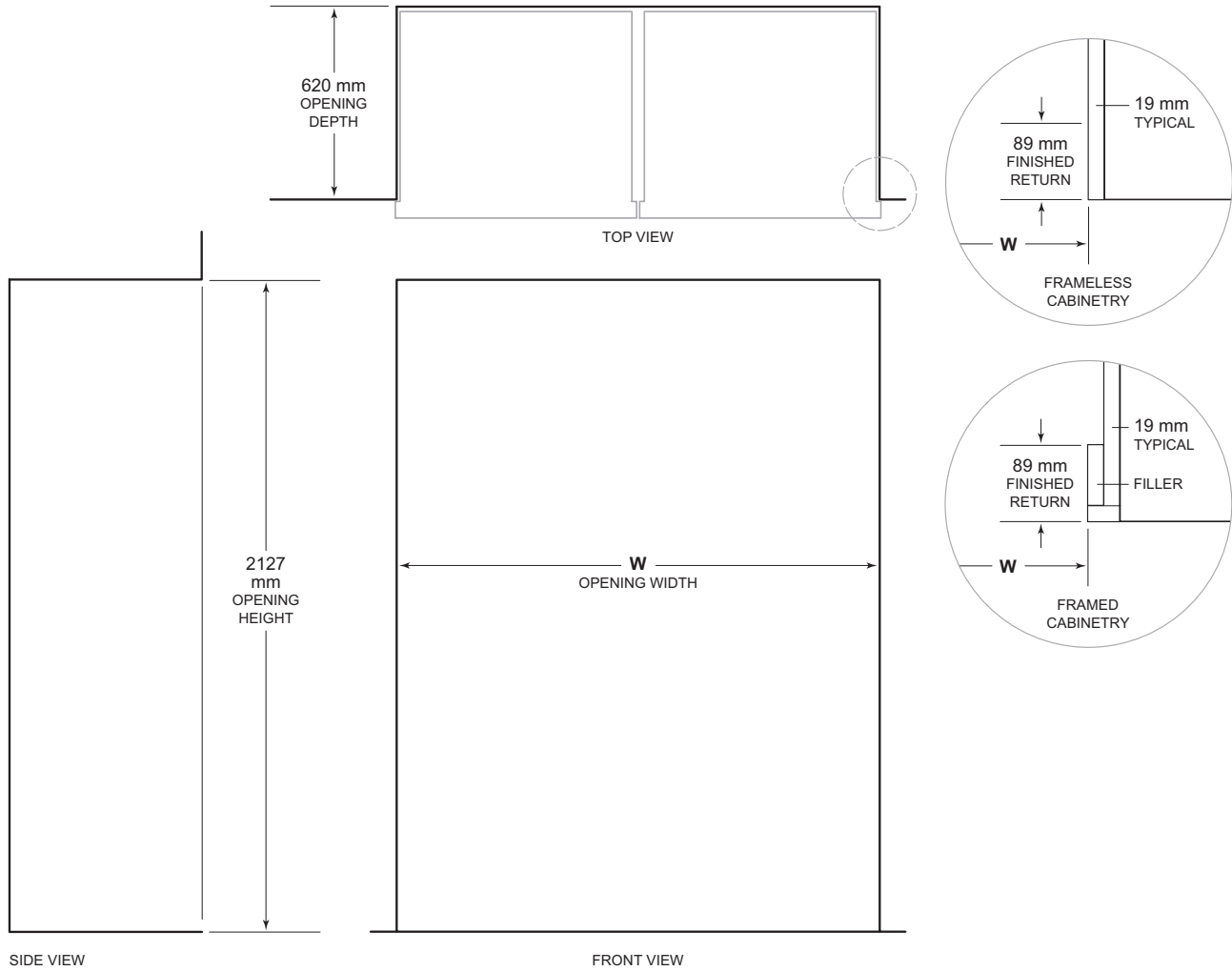
813 mm

Dimensions assume a 19 mm panel thickness.

If two units are installed side by side, refer to page 11 for dual flush inset installations.

Opening Dimensions

ICBBW-30 DUAL STANDARD INSTALLATION



NOTE: 89 mm finished returns will be visible and should be finished to match cabinetry.
Shaded line represents profile of unit.

OPENING WIDTH

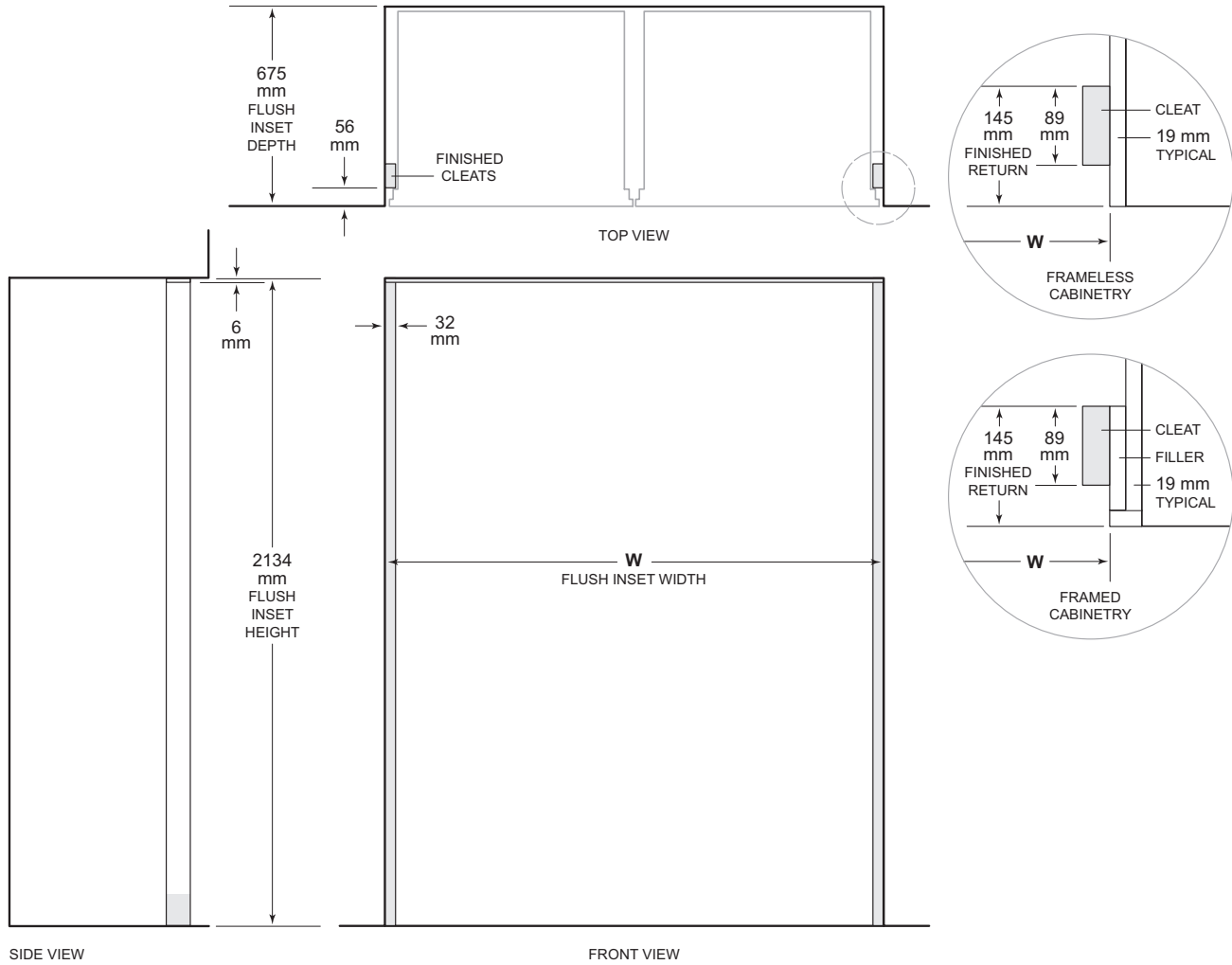
W

ICBBW-30 and 762 mm Classic Series model	1518 mm
ICBBW-30 and 914 mm Classic Series model	1670 mm

A dual installation kit will be required for this installation.

Opening Dimensions

ICBBW-30 DUAL FLUSH INSET INSTALLATION



NOTE: 89 mm finished returns and shaded areas will be visible and should be finished to match cabinetry. Shaded line represents profile of unit with 19 mm panel.

FLUSH INSET WIDTH

W

ICBBW-30 and 762 mm Classic Series model	1581 mm
ICBBW-30 and 914 mm Classic Series model	1734 mm

Dimensions assume a 19 mm panel thickness. A dual installation kit will be required for this installation.

Electrical Requirements

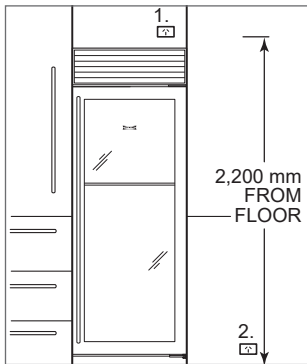
Installation must comply with all applicable electrical codes and be properly grounded (earthed).

International models from the factory require a 220-240 V AC, 50/60 Hz electrical supply, fused at the correct rating for the unit.

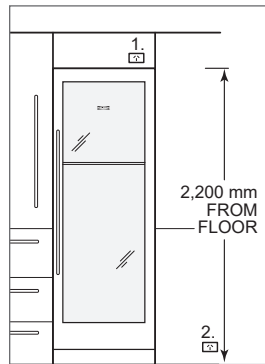
The electrical supply should be positioned in an accessible location either in a cabinet above the refrigerator, a MINIMUM OF 2200MM ABOVE THE FLOOR, or in an adjacent cabinet.

ELECTRICAL REQUIREMENTS

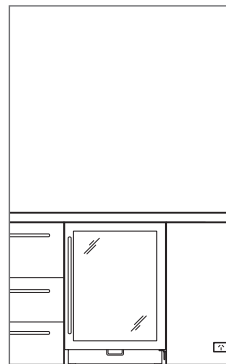
Power Supply	220-240 V AC, 50/60 Hz
Circuit Breaker	10 amp
Receptacle	grounding-type (earthed)



Classic Series Model
Alternative location of power and water supply depending on ease of access.



Designer Series Models
Alternative location of power and water supply depending on ease of access.



Under Bench Model
Location of power.

Custom Panels

For all models excluding stainless steel, door panels and handles must be provided. Refer to the panel requirements and custom panel dimensions charts for your specific model and design application.

Do not install a solid panel on a glass door unit. A solid door is available as a sales accessory (except model ICBBW-30) and must be installed if a solid panel is specified. Service may be required to install the door. Contact an authorized Sub-Zero dealer for more information. Overall dimensions are the same for glass and solid door panels.

Finish all sides of the custom panels. They may be visible when the door is open or through the window of a glass door model.

A D-style handle is recommended. Locate the door handle near the edge of the panel opposite the hinge and centered top to bottom. Stainless steel tubular and pro handles are available through an authorized Sub-Zero dealer.

⚠ CAUTION

As reveals between cabinetry and the unit decrease, severe finger pinching can occur while the door is closing.

Custom Panel—ICBDEU2450W

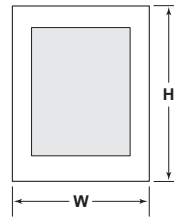
For model ICBDEU2450W, the custom door panel will attach directly to the door frame with screws through a series of pre-drilled holes. Refer to the following charts for panel requirements and dimensions.

The panel cannot exceed the maximum panel weight indicated in the chart below. The depth of each model is 587 mm. Allow for panel thickness when planning the finished opening depth.

PANEL REQUIREMENTS

Panel Weight	10 kg max
Panel Thickness	16 mm min – 19 mm max

TYPICAL PANEL DIMENSIONS



PANEL DIMENSIONS

MODEL	W	H
ICBDEU2450W	603 mm	772 mm
STILES / RAILS	MIN*	
Stiles		83 mm
Top Rail		89 mm
Bottom Rail		114 mm

DUAL INSTALLATION

For dual installations, refer to the chart below for typical panel dimensions.

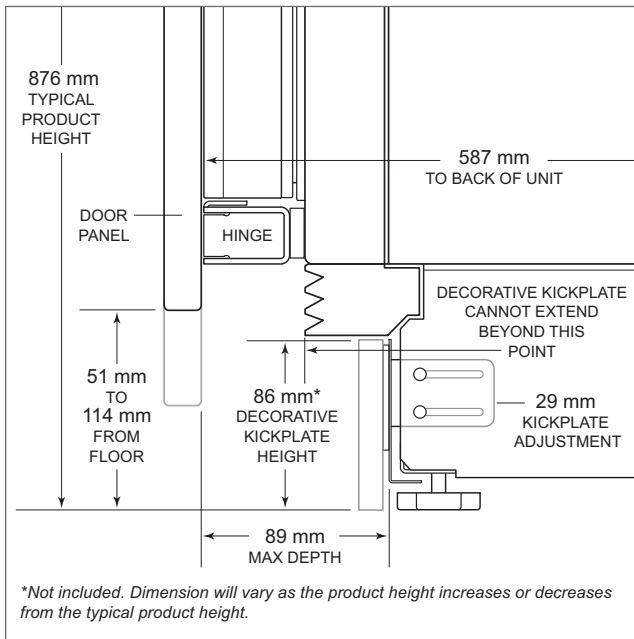
PANEL DIMENSIONS—DUAL INSTALLATION

MODEL	W	H
ICBDEU2450W	604.5 mm	772 mm

Custom Panel—ICBDEU2450W

TOE KICK CLEARANCE

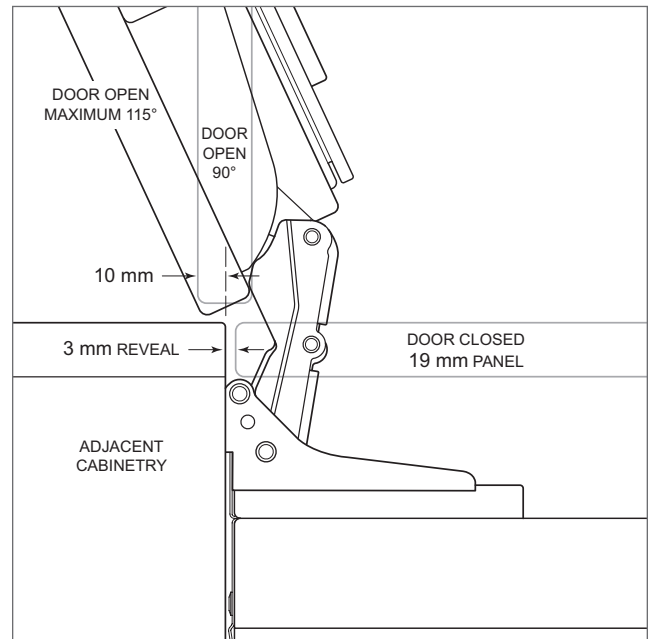
The height of the toe kick area can extend beyond the typical toe kick height, provided it does not exceed the dimensions in the illustration below.



Toe kick clearance (side view)

MAXIMUM DOOR OPENING

As the panel width and/or depth increases, so does the potential for panel interference. Interference may be minimized by using the 90° door stop.



Maximum door opening (top view)

Custom Panels—Designer Series

For Designer Series models, custom door panels and handle hardware must be provided. Refer to the panel requirements chart and typical panel dimensions.

Do not install a solid panel on the glass door unit. A solid door is available as a sales accessory through an authorized Sub-Zero dealer.

The thickness of the custom panel can vary. A minimum 16 mm thick panel is required, but the thickness can be increased provided it does not exceed the weight limit. The depth of each Designer Series model is 610 mm. Allow for panel thickness when planning the finished opening depth. Refer to the full-scale template on page 18.

⚠ CAUTION

As reveals between cabinetry and the unit decrease, severe finger pinching can occur while the door is closing.

Finish all sides of the custom panels. They will be visible when the door/drawer is open.

D-style handles are recommended. Door handles must be located near the edge of the panel opposite the hinge and should be centered top to bottom. Drawer handles must be located near the top edge of each panel. Stainless steel tubular and pro handles are available through an authorized Sub-Zero dealer.

PANEL REQUIREMENTS

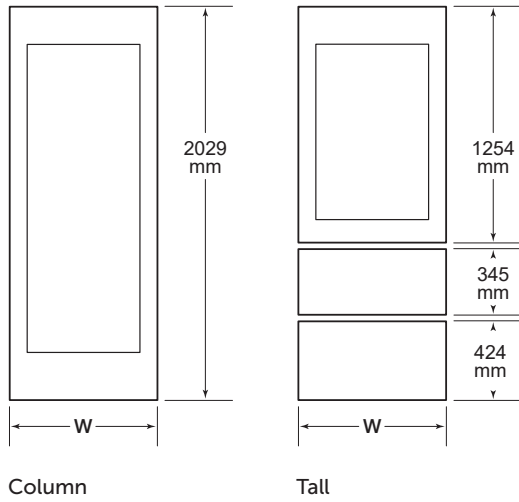
STILES / RAILS	WIDTH
Stiles	83 mm
Top Rail	197 mm
Bottom Rail	241 mm
Bottom Rail (ICBDET3050WR)	114 mm

PANEL WEIGHT	MAX
Door Frame	16 kg
Door Frame (ICBDET3050WR)	11 kg
Drawer Panel	7 kg

PANEL THICKNESS	MIN
All Panels	16 mm

Custom Panels—Designer Series

TYPICAL PANEL DIMENSIONS



Typical panel dimensions are based on a 2134 mm finished height, 102 mm toe kick, and 3 mm reveals. Panel dimensions must be adjusted accordingly for all other installations. Refer to the illustration for panel heights and the chart below for panel widths.

PANEL WIDTH	W
ICBDEC1850W	451 mm
ICBDEC2450W	604 mm
ICBDEC3050W, ICBDET3050WR	756 mm

DUAL INSTALLATION

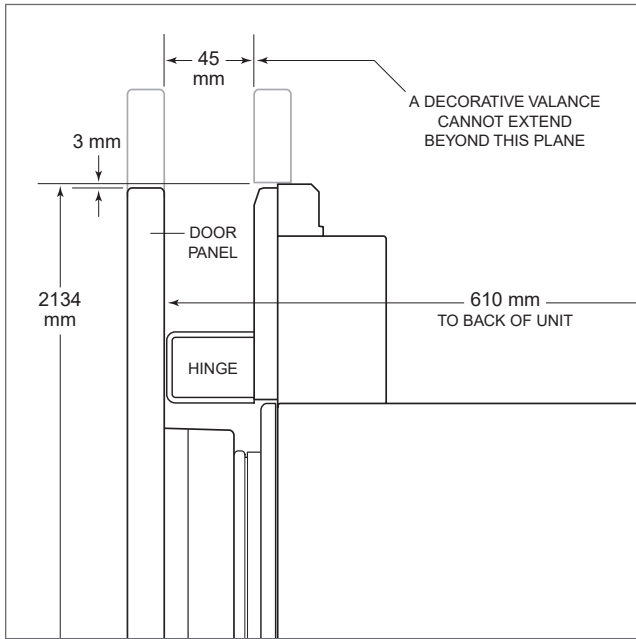
For dual installations, refer to the illustration for panel heights and the chart below for panel widths.

PANEL WIDTH—DUAL INSTALLATION	W
ICBDEC1850W	452.5 mm
ICBDEC2450W	605.5 mm
ICBDEC3050W, ICBDET3050WR	757.5 mm

Custom Panels—Designer Series

DOOR PANEL HEIGHT

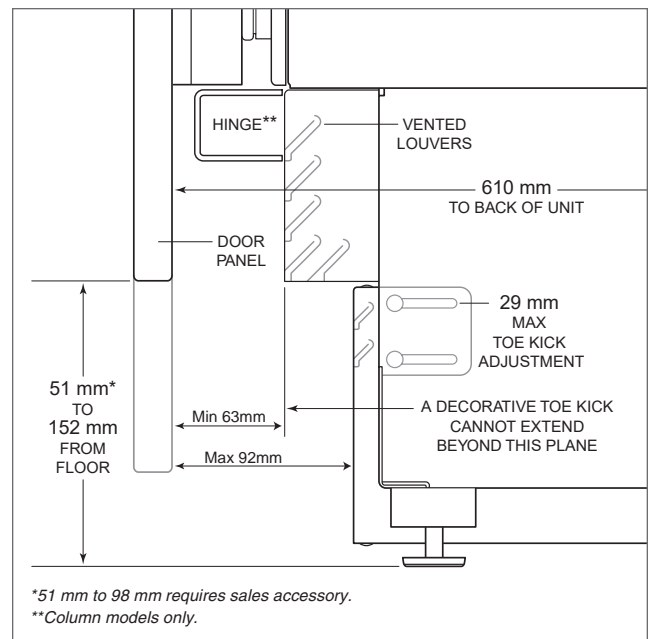
The height of the custom door panel can extend beyond the typical panel height, provided it does not exceed the weight limit. Refer to the illustration below.



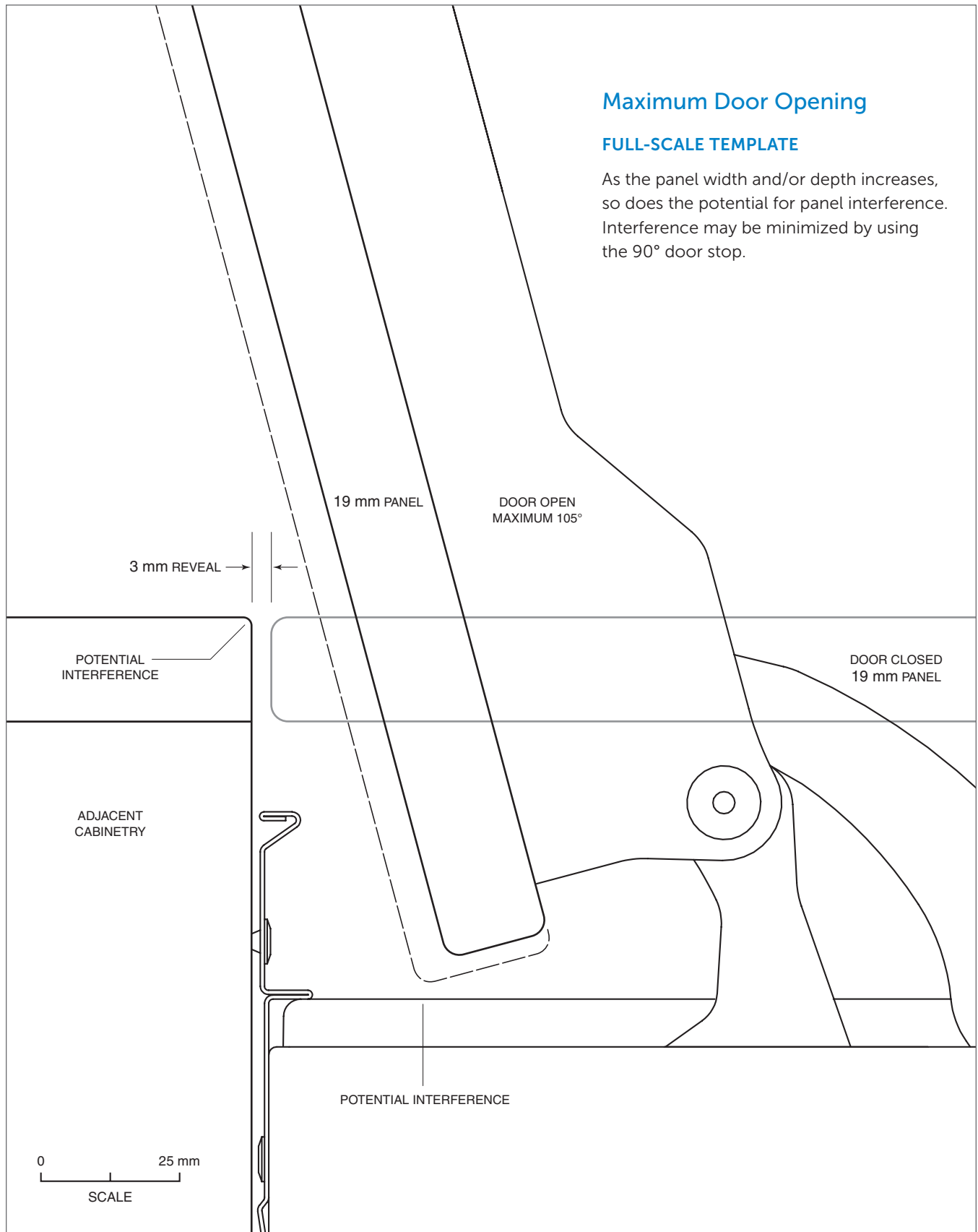
Upper valance—column and tall (side view)

TOE KICK CLEARANCE

The height of the toe kick area can extend beyond the typical toe kick height, provided it does not exceed the dimensions in the illustration below. Toe kick heights from 51 mm to 98 mm require a reduced toe kick accessory available through an authorized Sub-Zero dealer.



Toe kick (side view)



Maximum door opening (top view)

Custom Panels—ICBBW-30

FLUSH INSET PANELS

The flush inset application is an overlay model with flush inset panels. It is not a separate model.

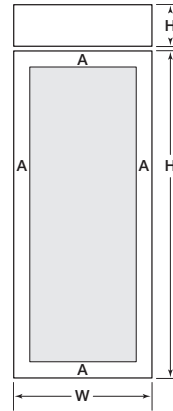
The flush inset design allows custom panels to be installed flush with adjacent cabinets. Flush inset panels are typically created by combining a 19 mm custom panel, a 3 mm spacer panel, and a 6 mm backer panel.

For flush inset panels thicker than 19 mm, a 90° door stop may be required to prevent interference with adjacent cabinets. Refer to the full-scale template on page 26.

PANEL REQUIREMENTS

PANEL WEIGHT	MAX
Door	34 kg
Grille	6 kg
PANEL THICKNESS	MIN
Flush Inset	16 mm

FLUSH INSET PANEL DIMENSIONS



ICBBW-30

FLUSH INSET PANELS

DOOR	W	H
Flush Inset Panel	787 mm	1772 mm
Spacer Panel	740 mm	1751 mm
Backer Panel	756 mm	1767 mm
STILES / RAILS	A	
Minimum	95 mm	
GRILLE	W	H
Flush Inset Panel	787 mm	235 mm
Spacer Panel	740 mm	211 mm
Backer Panel	756 mm	227 mm

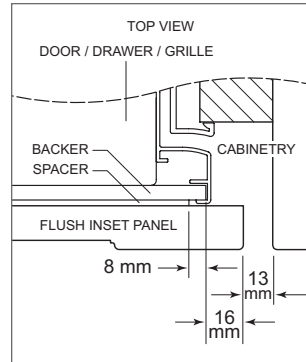
Grille panel dimensions are for a standard 2134 mm overall unit height. For a 2108 mm height, subtract 25 mm from the grille panel height dimensions and for a 2235 mm height, add 102 mm. A specific panel grille must be ordered for a 2108 mm or 2235 mm overall unit height.

Custom Panels—ICBBW-30

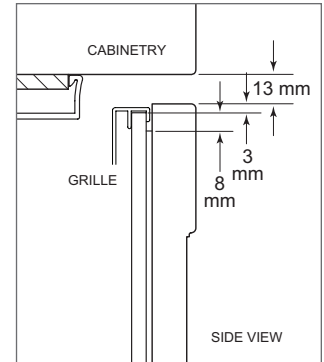
FLUSH INSET PANEL OFFSET

The illustrations provide panel offsets and reveals for model ICBBW-30 in a flush inset application. Refer to the chart below for reference to the illustrations.

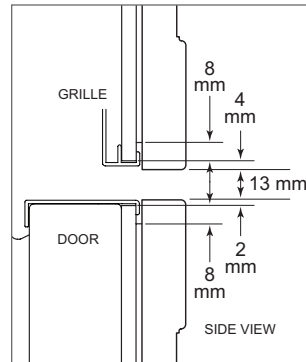
PANEL OFFSET	ILLUS
Door / Grille Sides	A
Grille Top	B
Grille Bottom / Door Top	C
Door Bottom	D



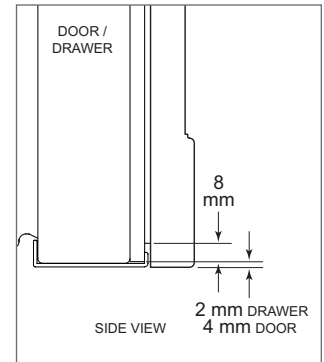
Illus. A



Illus. B



Illus. C



Illus. D

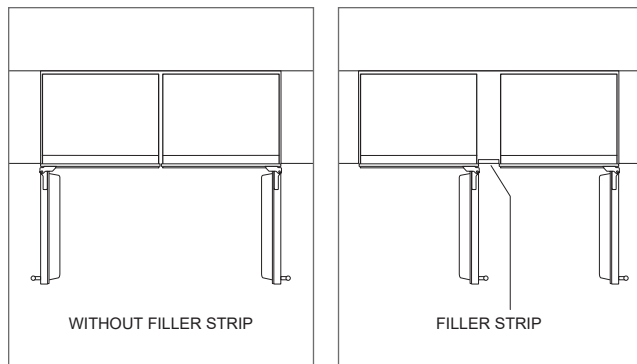
Custom Panels—ICBBW-30

DUAL INSTALLATIONS

A dual installation kit may be required if two models ICBBW-30 or a model ICBBW-30 and a Classic Series unit are installed side by side. Installations without a custom filler strip require a dual installation kit. If a dual installation kit is not specified, a 51 mm filler strip is recommended between the units. Dual installations without a filler strip can only be accomplished using two units with opposite hinges. Refer to the illustrations below.

Dual installation kits are available through an authorized Sub-Zero dealer. For questions regarding the installation, contact your authorized Sub-Zero dealer.

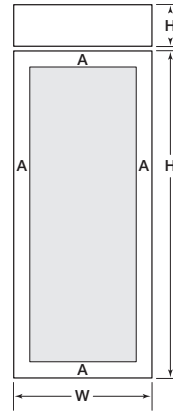
For dual standard installations, panel dimensions are the same as for single installations. Panel dimensions and offsets for dual flush inset installations are listed on the following pages.



Opposite hinges

Same side hinges

DUAL FLUSH INSET PANEL DIMENSIONS



ICBBW-30

DUAL FLUSH INSET PANELS

DOOR	W	H
Flush Inset Panel	775 mm	1772 mm
Spacer Panel	740 mm	1751 mm
Backer Panel	756 mm	1767 mm

STILES / RAILS	A
Minimum	95 mm

GRILLE	W	H
Flush Inset Panel	775 mm	235 mm
Spacer Panel	740 mm	211 mm
Backer Panel	756 mm	227 mm

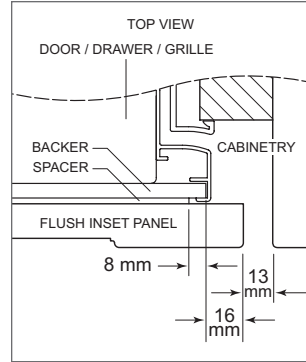
Grille panel dimensions are for a standard 2134 mm overall unit height. For a 2108 mm height, subtract 25 mm from the grille panel height dimensions and for a 2235 mm height, add 102 mm. A specific panel grille must be ordered for a 2108 mm or 2235 mm overall unit height.

Custom Panels—ICBBW-30

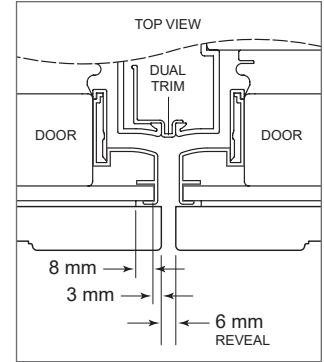
DUAL FLUSH INSET PANEL OFFSET

The illustrations provide panel offsets and reveals for model ICBBW-30 in a dual flush inset application. Refer to the chart below for reference to the illustrations.

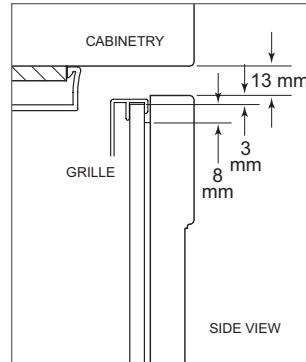
PANEL OFFSET	ILLUS
Door (hinge) / Grille Sides	A
Door (handle) Sides	B
Grille Top	C
Grille Bottom / Door Top	D
Door Bottom	E



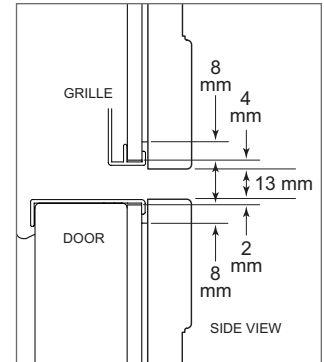
Illus. A



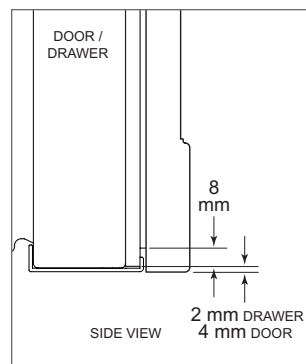
Illus. B



Illus. C



Illus. D



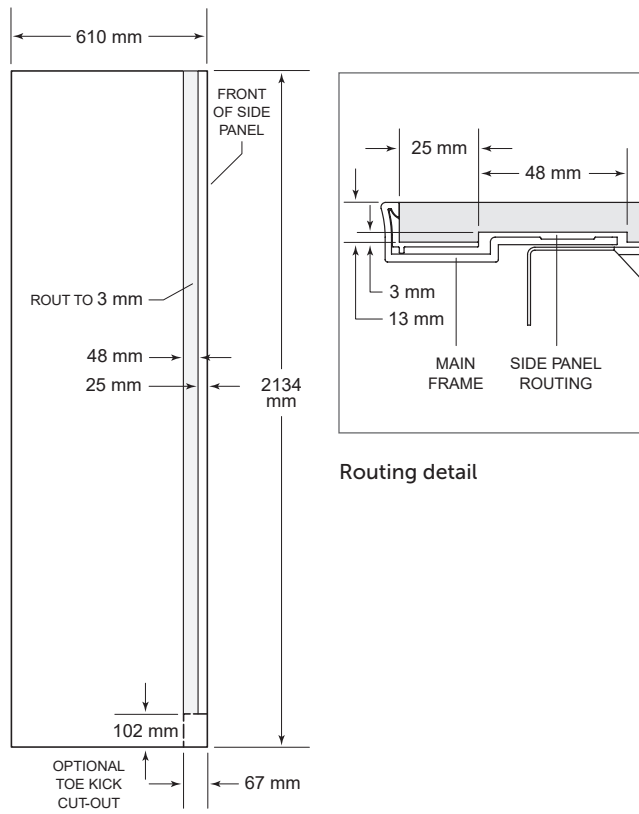
Illus. E

Custom Panels—ICBBW-30

SIDE PANEL

The custom side panel must be a minimum of 610 mm deep and 13 mm thick. Routing will be necessary for the side panel to fit flush against the side of the unit. Refer to the illustrations below.

When installing model ICBBW-30 with a custom side panel, an accessory kit is required. Stainless steel and white enamel side panels are available through an authorized Sub-Zero dealer.



Side panel dimensions

Standard Handles

Optional stainless steel tubular and pro handles are available through an authorized Sub-Zero dealer.

Refer to the chart below for standard handle lengths for wine storage models.

HANDLE LENGTH	TUBULAR	PRO
ICBDEU2450W	614 mm	572 mm
ICBDEC1850W	1273 mm	1229 mm
ICBDEC2450W	1273 mm	1229 mm
ICBDEC3050W	1273 mm	1229 mm
ICBDET3050WR Door	845 mm	800 mm
ICBDET3050WR Drawer	616 mm	572 mm
ICBBW-30	1622 mm	1147 mm

Wine Rack Wood Facing

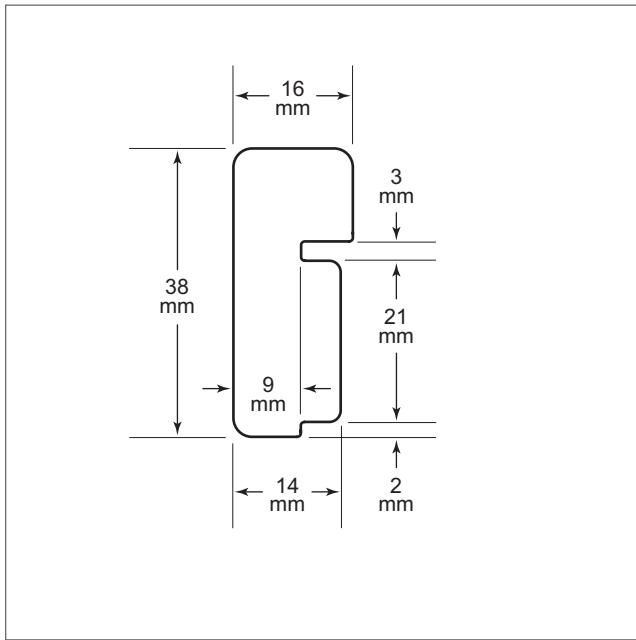
FULL-SCALE TEMPLATE

The natural cherrywood facing on wine storage racks can be stained and sealed, or replaced with wood more complementary to surrounding cabinetry. Refer to the full-scale templates below for the profile dimensions of the wood facing and the charts for the width.

WOOD FACING WIDTH

W

ICBDEU2450W	489 mm
-------------	--------

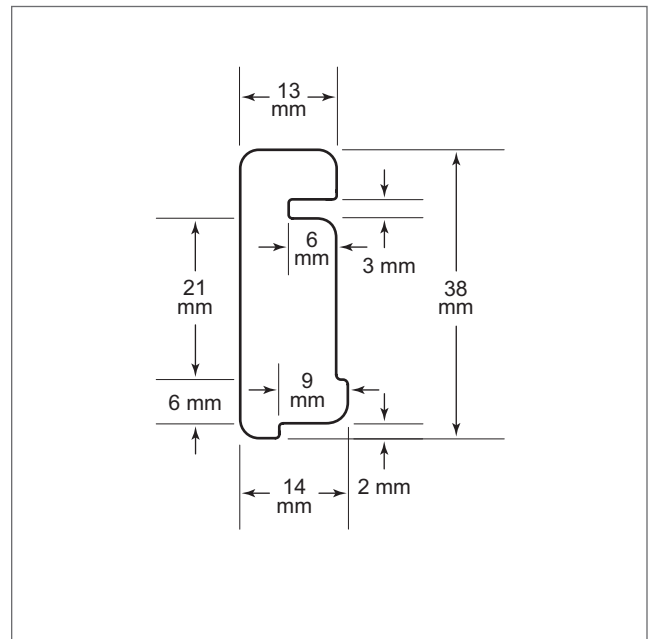


Wood facing profile—Model ICBDEU2450W

WOOD FACING WIDTH

WIDTH

ICBDEC1850W	295 mm
ICBDEC2450W	448 mm
ICBDEC3050W, ICBDET3050WR	600 mm
ICBBW-30	624 mm

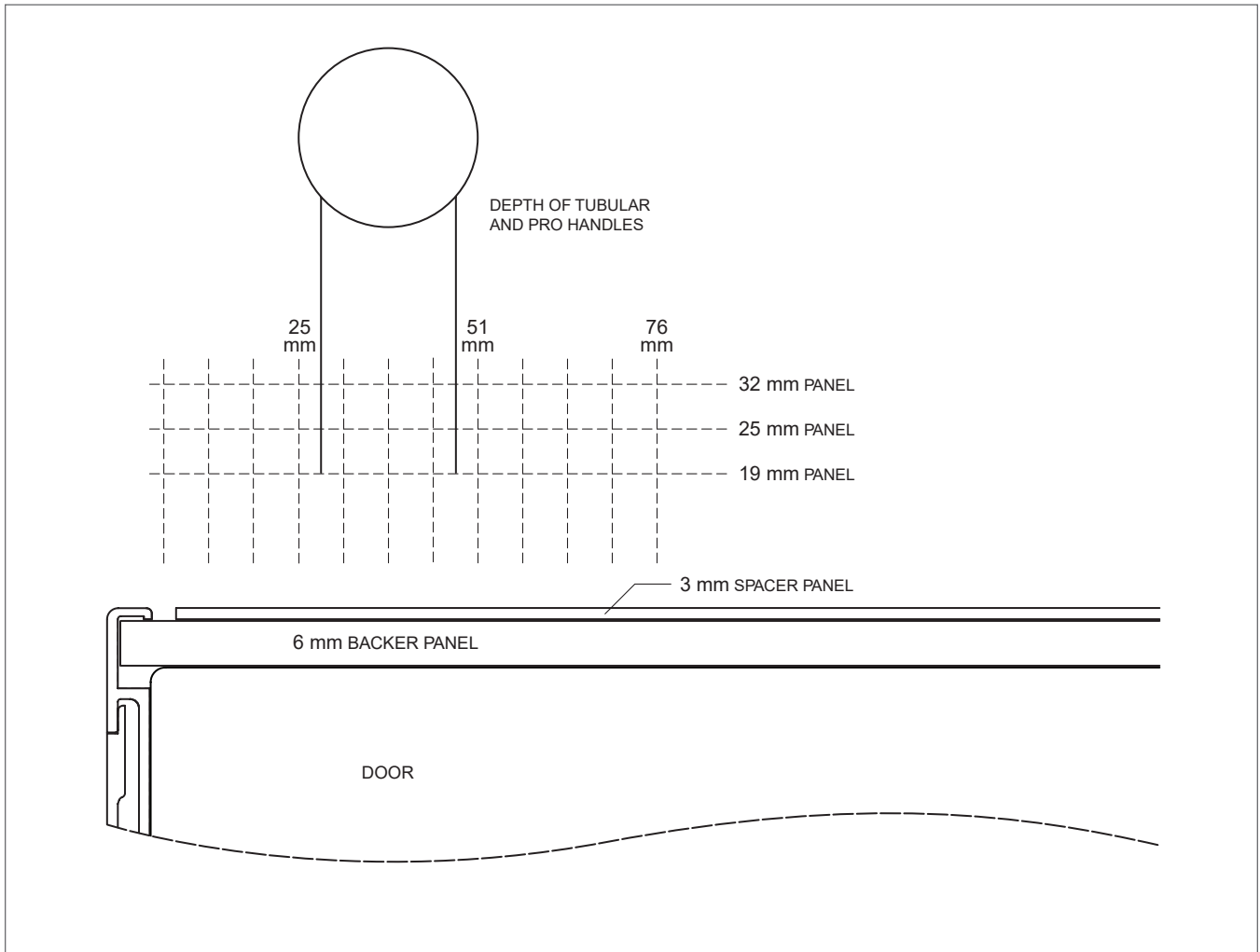


Wood facing profile—Designer Series and Model ICBBW-30

Overlay / Flush Inset Panels—ICBBW-30

FULL-SCALE TEMPLATE

Overlay and flush inset panels must be a minimum of 16 mm thick to support mounting the handle. Panel thickness does not include the backer and spacer panel. Mount the handle close to the opening edge of the door.

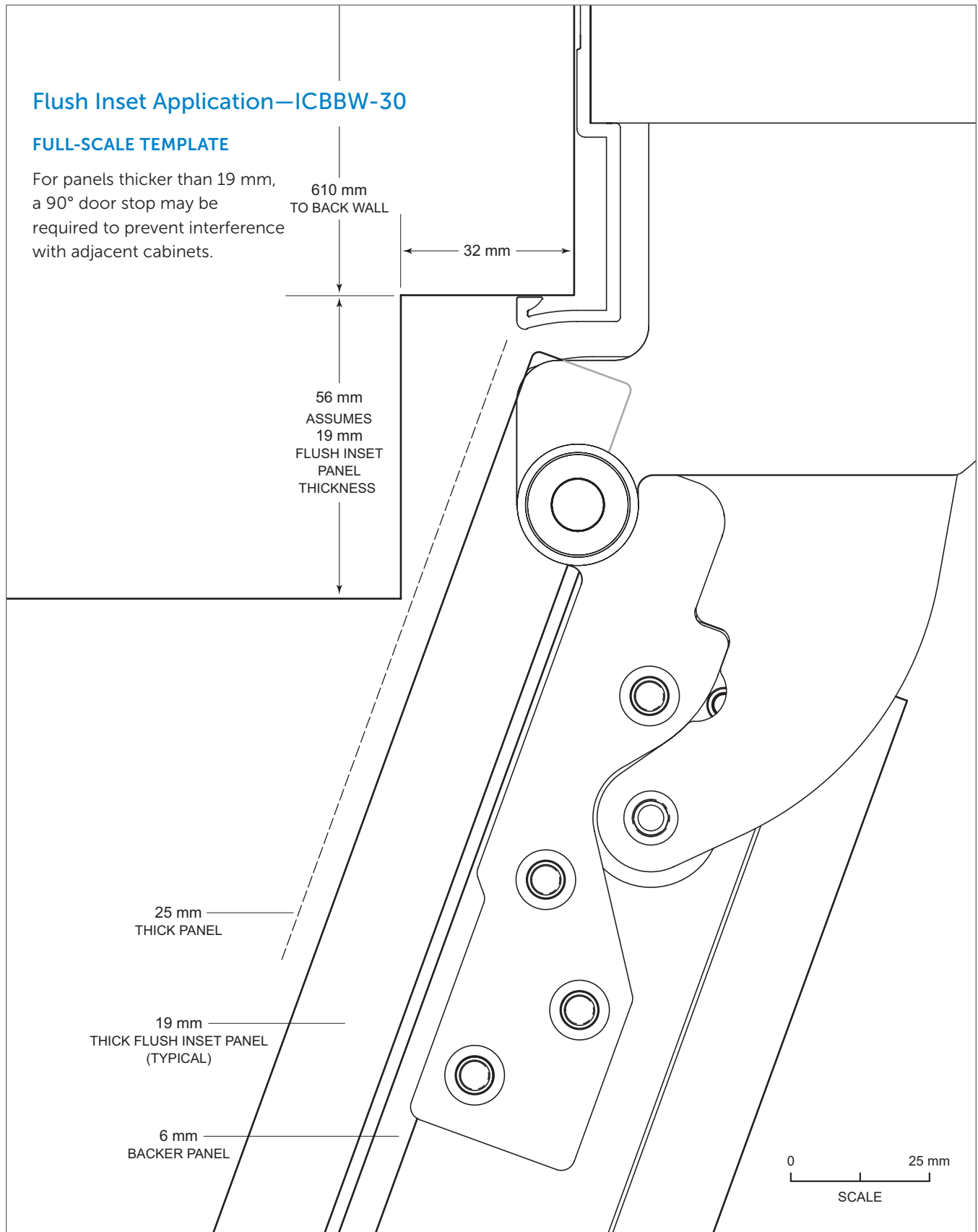


Overlay and flush inset panel thickness

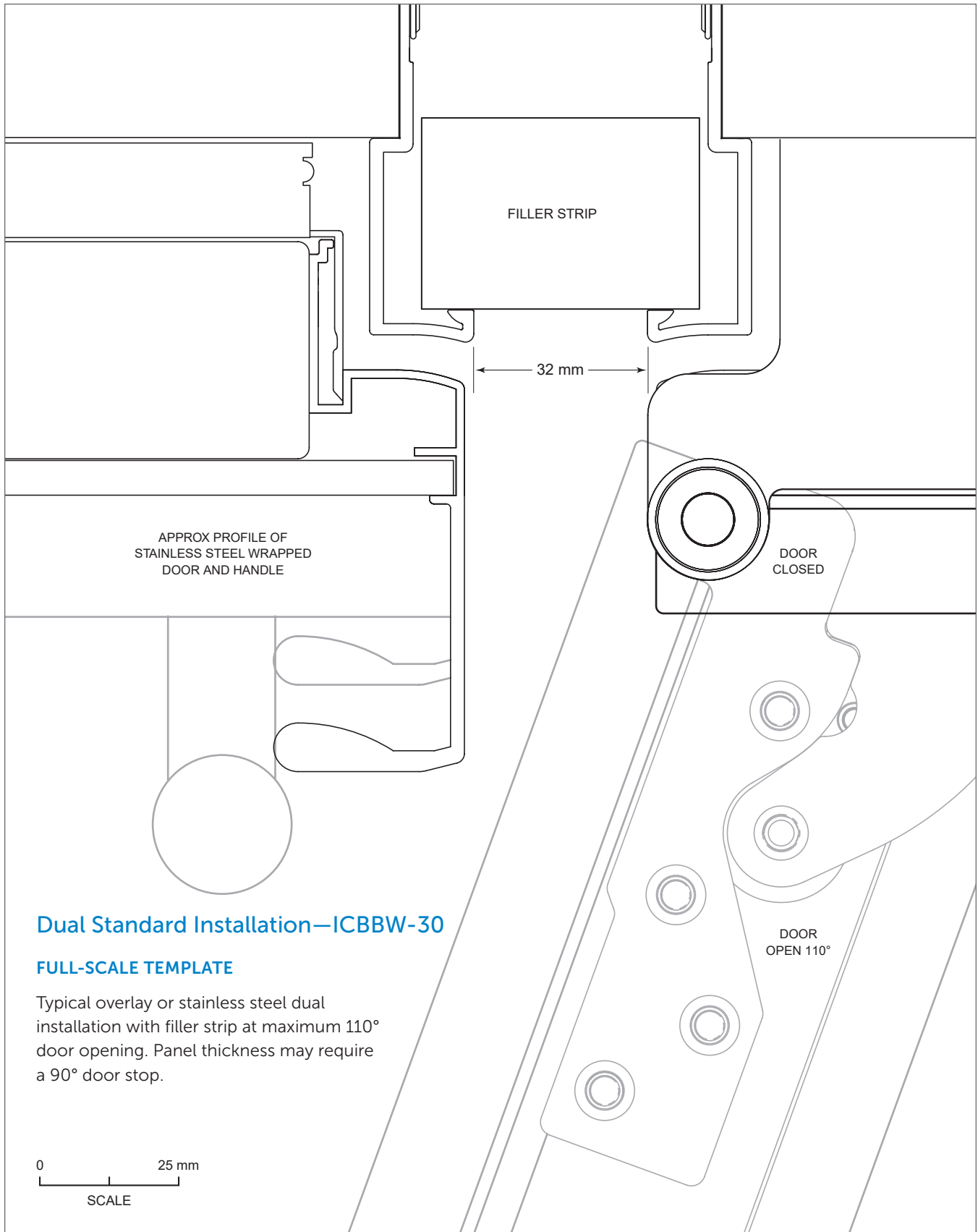
Flush Inset Application—ICBBW-30

FULL-SCALE TEMPLATE

For panels thicker than 19 mm, a 90° door stop may be required to prevent interference with adjacent cabinets.



110° door opening (top view)

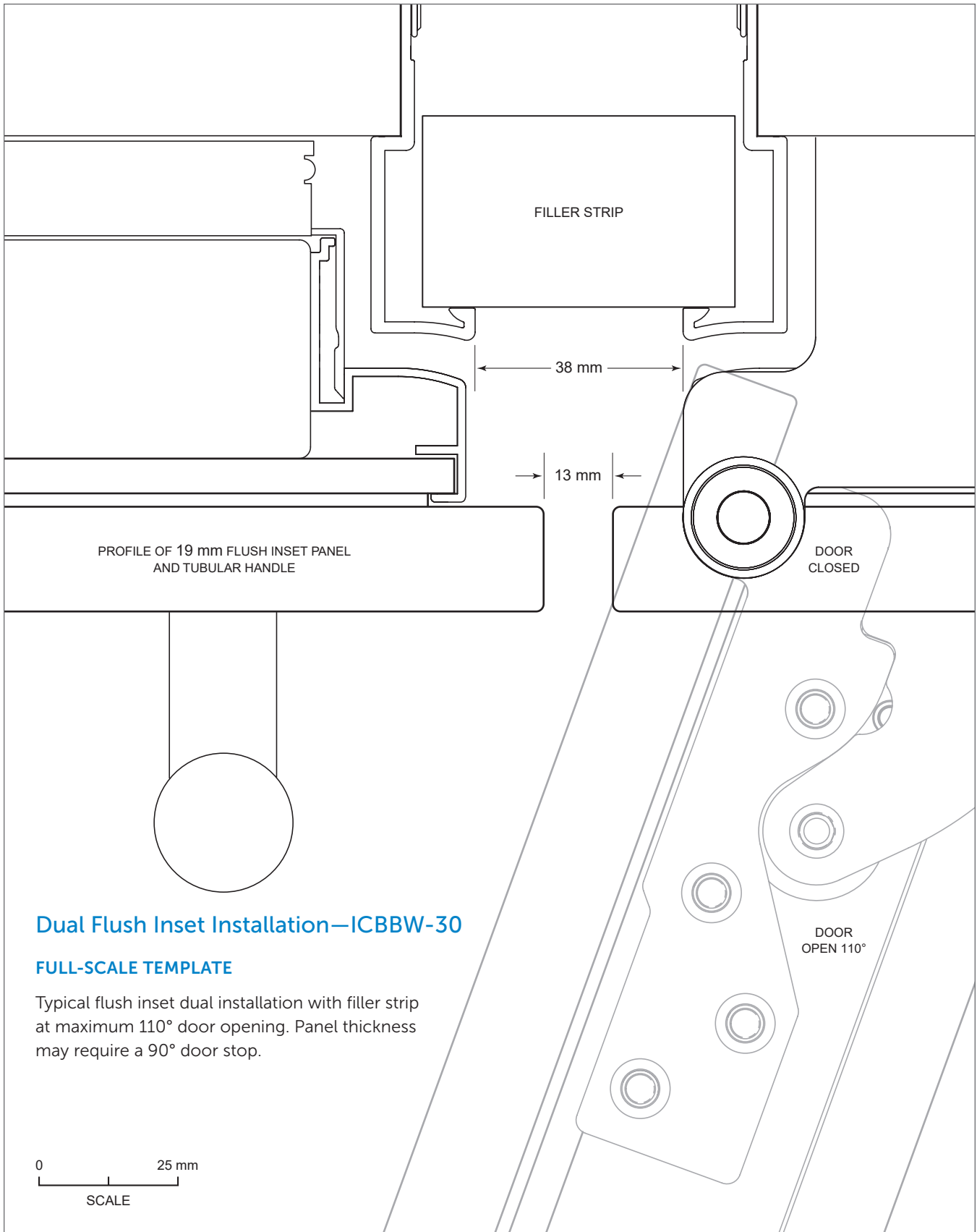


Dual Standard Installation—ICBBW-30

FULL-SCALE TEMPLATE

Typical overlay or stainless steel dual installation with filler strip at maximum 110° door opening. Panel thickness may require a 90° door stop.

Dual standard installation (top view)



Dual Flush Inset Installation—ICBBW-30

FULL-SCALE TEMPLATE

Typical flush inset dual installation with filler strip at maximum 110° door opening. Panel thickness may require a 90° door stop.

Dual flush inset installation (top view)

Sub-Zero International Limited Warranty

FOR RESIDENTIAL USE

These Warranty Terms and Conditions ('Warranty') constitute your agreement with Sub-Zero Group Australia Pty Ltd (ACN 610 807 899) ('Sub-Zero') and will apply to your service order. The benefits given by this Warranty are in addition to all consumer guarantees and other rights and remedies prescribed by the Australian Consumer Law and any other applicable laws.

Our products come with guarantees that cannot be excluded under the Australian Consumer Law. You are entitled to a replacement or refund for a major failure and compensation for any other reasonably foreseeable loss or damage. You are also entitled to have the goods repaired or replaced if the goods fail to be of acceptable quality and the failure does not amount to a major failure.

In addition to your rights and remedies under the Australian Consumer Law, Sub-Zero provides customers with a Warranty where, if any part of a Sub-Zero Product is found upon inspection by an authorised Sub-Zero representative or an associated licensed technician supplied by either Sub-Zero or a relevant approved supplier (including a Sub-Zero factory certified service) ('Service Representative') to be defective in materials or workmanship, Sub-Zero will repair or replace the part free of charge as follows:

FULL TWO YEAR WARRANTY* (**Outdoor product full one year warranty)

For two years from the date of original installation, this Sub-Zero product warranty covers all parts and labour to repair or replace, under normal residential use, any part of the product that proves to be defective in materials or workmanship. All service provided by Sub-Zero under the above warranty must be performed by Sub-Zero factory certified service, unless otherwise specified by Sub-Zero, Inc. Where the Service Representative is unable to identify any fault in the product, Sub-Zero may require the consumer to provide proof that the product is defective. For the avoidance of doubt, defective products or parts become Sub-Zero's property. Service will be provided during normal business hours.

FULL FIVE YEAR SEALED SYSTEM WARRANTY*

For five years from the date of original installation, this Sub-Zero product warranty covers all parts and labour to repair or replace, under normal residential use, these parts that prove to be defective in materials or workmanship: compressor, condenser, evaporator, drier and all connecting tubing. All service provided by Sub-Zero under the above warranty must be performed by Sub-Zero factory certified service, unless otherwise specified by Sub-Zero, Inc. Where the Service Representative is unable to identify any fault in the product, Sub-Zero may require the consumer to provide proof that the product is defective. For the avoidance of doubt, defective products or parts become Sub-Zero's property. Service will be provided during normal business hours.

TERMS APPLICABLE TO EACH WARRANTY*

The warranty applies only to products installed for normal residential use. This warranty does not cover any parts or labour to correct any defect caused by negligence, accident or improper use, maintenance, installation, service or repair.

CLAIM PROCEDURE*

In order to claim the Warranty, you must cease using the product when a fault arises, contact Sub-Zero or authorised Sub-Zero dealer where the product was purchased to report the issue and follow Sub-Zero's directions regarding what to do next. Sub-Zero's general contact details are as follows:

Sub-Zero Group Australia
11-19 Bank Place
Melbourne VIC 3000
Phone: 03 9600 2218 Email: serviceAU@subzero.com

CLAIM PROCEDURE*

Except to the extent required by law, all consumer guarantees, representations, warranties, terms and conditions in relation to the products (whether implied or otherwise) are hereby excluded to the maximum extent permitted by law.

To the fullest extent permitted by law, Sub-Zero excludes all liability for damage or injury to any person, damage to any property and any indirect consequential or other loss or damage.

*Stainless steel (doors, panels, handles, product frames and interior surfaces) are covered by a limited 60-day parts and labour warranty for cosmetic defects.

*Replacement water filters and air purification cartridges are not covered by the product warranty.

**Full one year warranty applies to outdoor product. Product must be approved for outdoor use, designated by model and serial number.

