



Design Guide

Designer Series

ICB REVISED 5/2022



Contents

- 3** Designer Series Refrigeration
- 13** Designer Series Undercounter Refrigeration
- 20** Sub-Zero Warranty



Features and specifications are subject to change at any time without notice.

Throughout this guide, dimensions may vary by ± 3 mm.

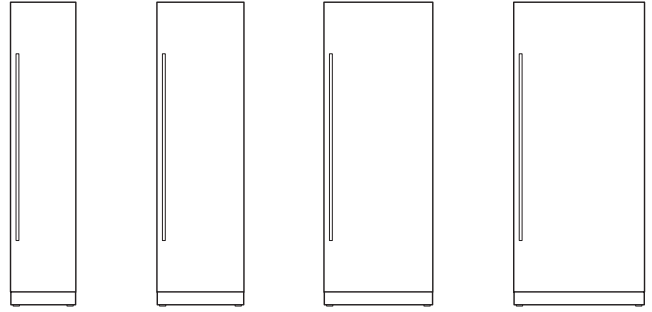
Designer Series Refrigeration

With custom front panels and hardware, Sub-Zero invented Designer Series columns, tall, and drawer models that disappear into the decor. Units fit flush with other cabinetry, making Designer Series refrigeration as practical and beautiful in the master suite, bar, or theatre room as in the kitchen. Model ICBID-24RO, approved for outdoor installations, is ideal for any outdoor kitchen.

Features and specifications are subject to change at any time without notice.

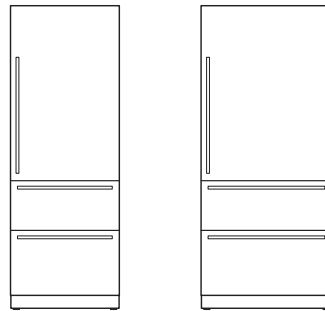
Throughout this guide, dimensions may vary by ± 3 mm.

COLUMN MODELS



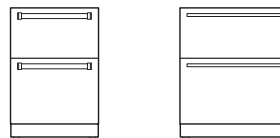
ICBDEC1850FI ICBDEC2450R ICBDEC3050RID ICBDEC3650RID
ICBDEC2450FI ICBDEC3050FI

TALL MODELS



ICBDET3050CIID ICBDET3650CIID

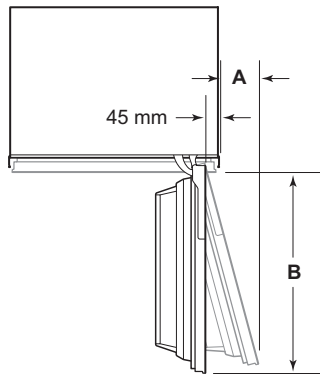
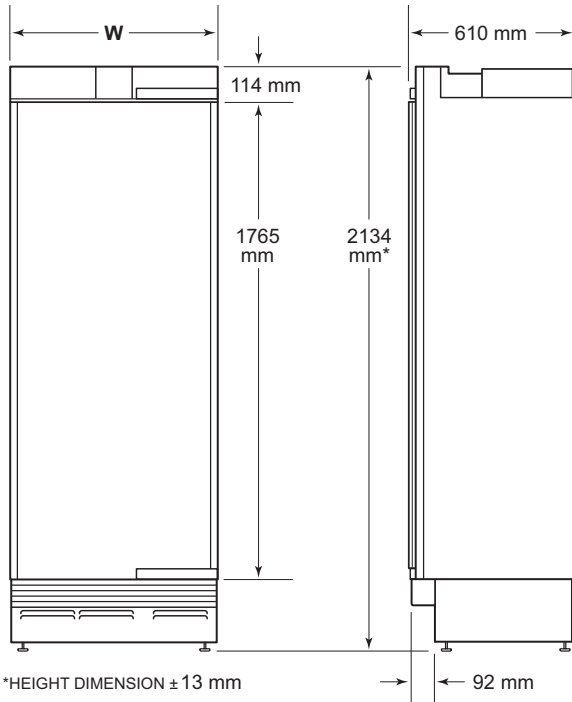
DRAWER MODELS



ICBID-24RO ICBID-30R
ICBID-30FI

Overall Dimensions

COLUMN



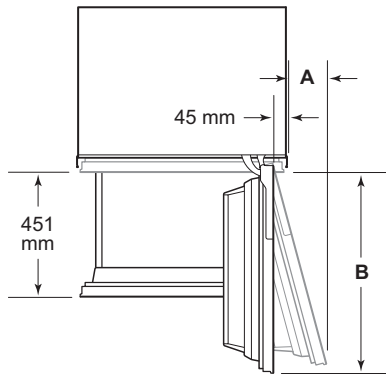
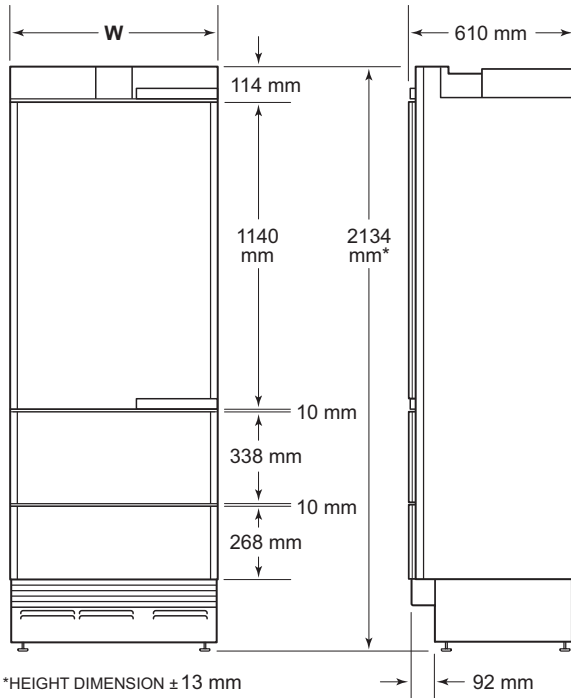
COLUMN

	W	A	B
457 mm Column	457 mm	64 mm	419 mm
610 mm Column	610 mm	102 mm	572 mm
762 mm Column	762 mm	143 mm	724 mm
914 mm Column	914 mm	184 mm	876 mm

IMPORTANT NOTE: Overall dimensions do not include panels or handles. Dimensions will vary with panel thickness.

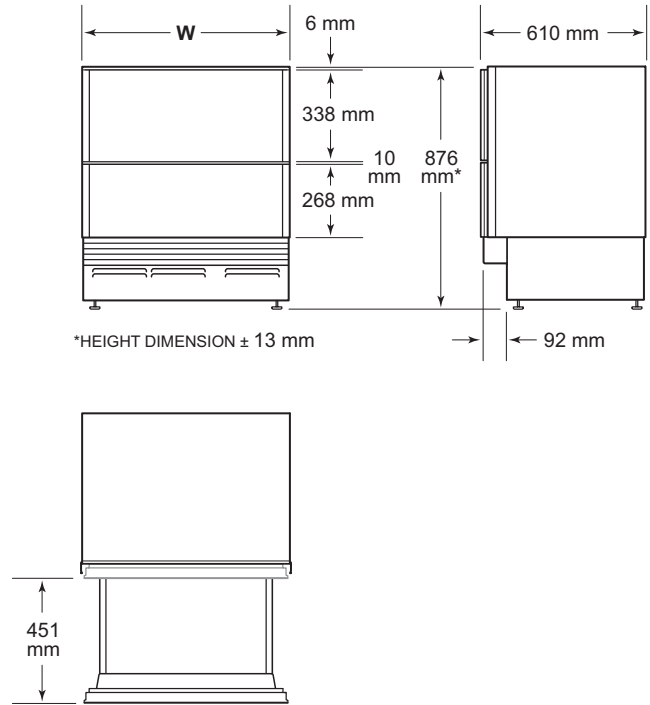
Overall Dimensions

TALL



TALL	W	A	B
762 mm Tall	762 mm	143 mm	724 mm
914 mm Tall	914 mm	184 mm	876 mm

DRAWER



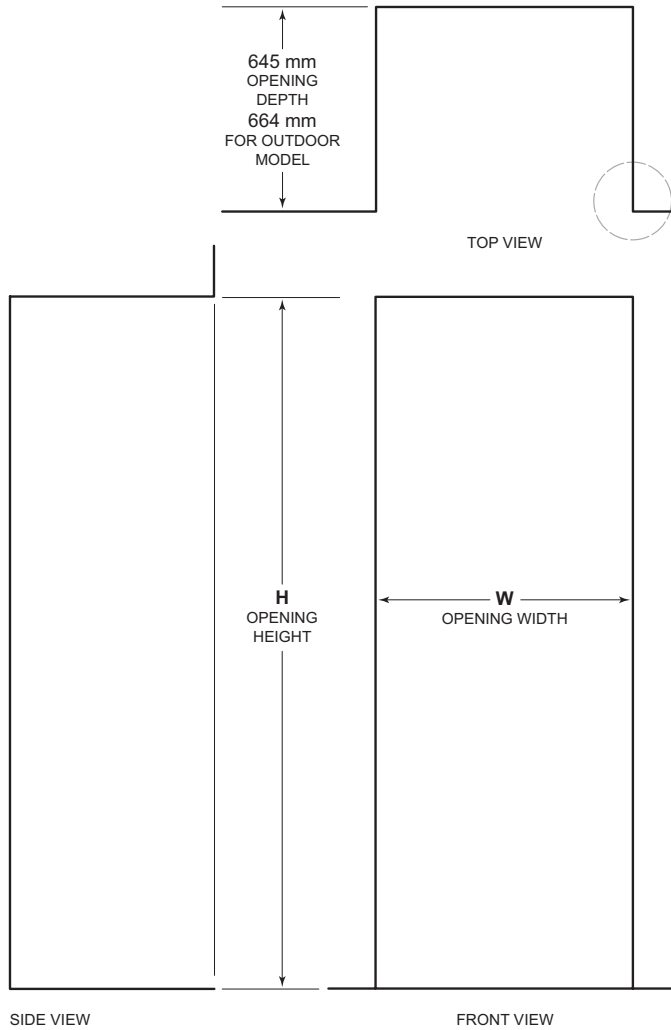
DRAWER

	W
610 mm Drawer	610 mm
762 mm Drawer	762 mm

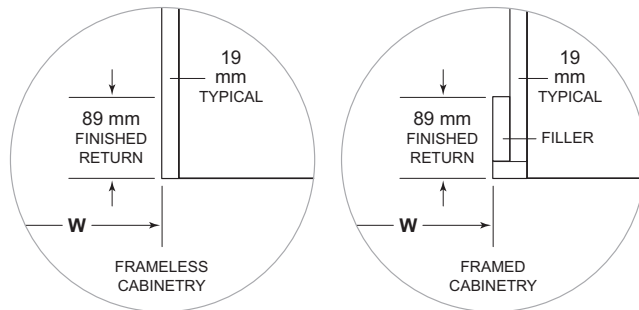
IMPORTANT NOTE: Overall dimensions do not include panels or handles. Dimensions will vary with panel thickness.

Opening Dimensions

DESIGNER SERIES



NOTE: 89 mm finished returns will be visible and should be finished to match cabinetry—114 mm for outdoor model.



OPENING DIMENSIONS

COLUMN	W*	H
457 mm Column	457 mm	2134 mm
610 mm Column	610 mm	2134 mm
762 mm Column	762 mm	2134 mm
914 mm Column	914 mm	2134 mm
TALL	W*	H
762 mm Tall	762 mm	2134 mm
914 mm Tall	914 mm	2134 mm
DRAWER	W*	H
610 mm Drawer	610 mm	876 mm
762 mm Drawer	762 mm	876 mm

*For stainless steel side panel accessory, add 25 mm per panel to opening width.

The depth of each Designer Series model is 610 mm. Allow for panel thickness when planning the finished opening depth. A minimum 89 mm finished return is required on all sides of the opening—114 mm for the outdoor model. Framed cabinets will require additional finished filler material behind the face frame for a proper installation. Refer to the illustration.

Dual Installation

When installing two units side by side in a dual installation, the opening width is the width of the two units added together. A dual installation kit will be required for this installation. If a dual installation kit is not specified, a minimum 51 mm filler strip is required between the units.

Dual installation kits are available through an authorized Sub-Zero dealer. For questions regarding the installation, contact your authorized Sub-Zero dealer.

Electrical Requirements

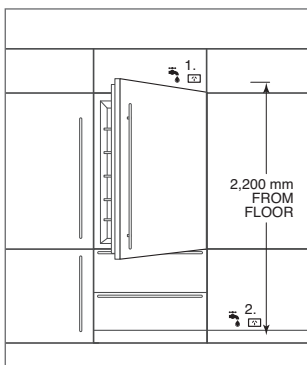
Installation must comply with all applicable electrical codes.

International models from the factory require a 220-240 V AC, 50/60 Hz electrical supply, fused at the correct rating for the unit.

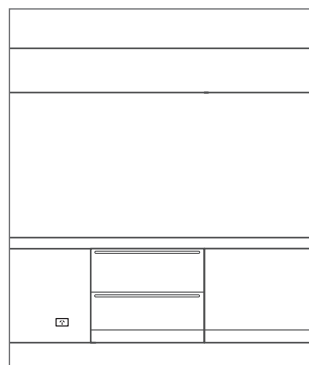
The electrical supply should be easily accessible and positioned either in a cabinet above the refrigerator, a **minimum of 2200mm above the floor** or in adjacent cabinet.

ELECTRICAL REQUIREMENTS

Power Supply	220-240 V AC, 50/60 Hz
Circuit Breaker	10 amp
Receptacle	grounding-type (earthed)



Designer Series. Tall models. Alternative location of power and water supply depending on ease of access.



Designer Series. Under bench model. Location of power.

Plumbing Requirements

Installation must comply with all applicable plumbing codes.

For Designer Series models with an automatic ice maker and/or water dispenser, a pressure limiting valve and 5 metres of flexible 6mm pipe with fittings is included in the refrigerator carton. Connect the pressure limiting valve close to the water tap, CHECKING THE WATER FLOW IS IN THE RIGHT DIRECTION.

Ensure water connection is 1/2" BSP male threaded outlet. Tape the 6mm water line to the wall and floor to ensure it is not compressed when the refrigerator is pushed into the cavity.

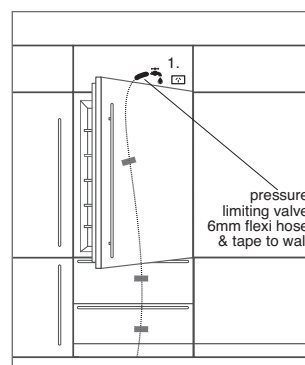
The water tap should be easily accessible and positioned either in a cabinet above the refrigerator, a **minimum of 2200mm above the floor**, or in adjacent cabinet.

Do not use self piercing valves.

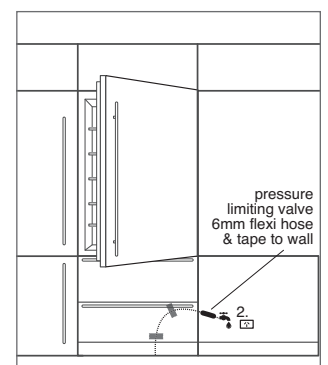
IMPORTANT NOTE: In some cases a reverse osmosis water filter system may not be able to maintain the minimum pressure consistently.

PLUMBING REQUIREMENTS

Water Supply Line	6mm plastic line
Water Pressure	2.4-8.3 bar
Excess Water Line for Connection	5 m



1. Designer Series. Water supply above fridge. Location of 6mm flexible hose. Tape to wall and floor with pressure limiting valve next to tap.



2. Designer Series. Water supply beside fridge. Location of 6mm flexible hose. Tape to wall and floor with pressure limiting valve next to tap.

Stainless Steel Panels

The outdoor model requires the use of Sub-Zero stainless steel outdoor accessory panels. Stainless steel panels are available through an authorized Sub-Zero dealer.

The thickness of indoor stainless steel panels is 19 mm and outdoor stainless steel panels is 38 mm. The depth of each Designer Series model is 610 mm. Allow for panel thickness when planning the finished opening depth.

Reveals of 3 mm are typical, however, the reveal between the upper and lower outdoor stainless steel panels is 6 mm to accommodate the lock.

Custom Panels

For Designer Series models, custom door/drawer panels and handle hardware must be provided.

The thickness of the custom panel can vary. A minimum 16 mm thick panel is required, but the thickness can be increased provided it does not exceed the maximum panel weight indicated in the chart below. The depth of each Designer Series model is 610 mm. Allow for panel thickness when planning the finished opening depth. Refer to the full-scale template on page 12.

Reveals between panels can vary, 3 mm reveals are typical.

⚠ CAUTION

As reveals between cabinetry and the unit decrease, severe finger pinching can occur while the door is closing.

Finish all sides of the custom panels. They will be visible when the door/drawer is open.

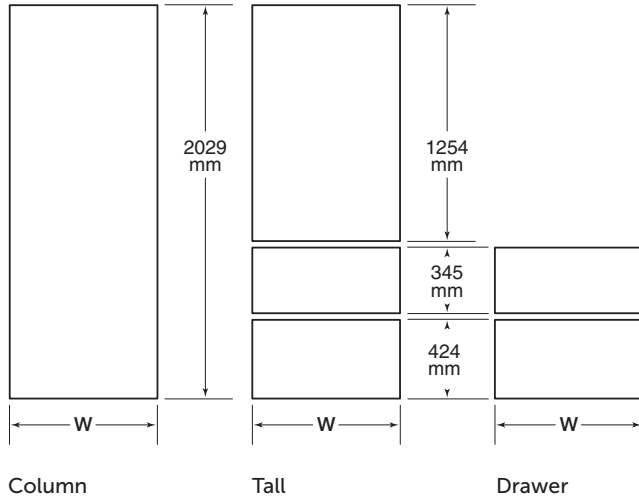
D-style handles are recommended. Locate the door handle near the edge of the panel opposite the hinge and centered top to bottom. Locate the drawer handles near the top edge of each panel. Stainless steel tubular and pro handles are available through an authorized Sub-Zero dealer.

PANEL REQUIREMENTS

WEIGHT PER PANEL	MAX
457 mm Column	20 kg
610 mm Column	27 kg
762 mm Column	34 kg
914 mm Column	34 kg
WEIGHT PER PANEL	MAX
762 mm Tall (door)	22 kg
914 mm Tall (door)	27 kg
Drawer Panel	7 kg
PANEL THICKNESS	MIN
All Panels	16 mm

Custom Panels

TYPICAL PANEL DIMENSIONS



Typical panel dimensions are based on a 2134 mm finished height for column and tall models and 876 mm for drawer models, with a 102 mm toe kick and 3 mm reveals. Panel dimensions must be adjusted accordingly for all other installations. Refer to the illustration for panel height and the chart below for panel width.

PANEL WIDTH	W
457 mm Model	451 mm
610 mm Model	604 mm
762 mm Model	756 mm
914 mm Model	908 mm

DUAL INSTALLATION

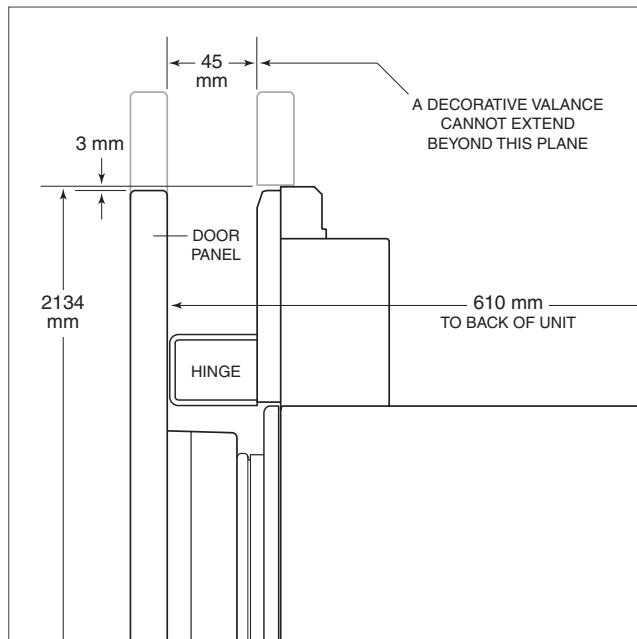
For dual installations, refer to the illustration for panel height and the chart below for panel width.

PANEL WIDTH—DUAL INSTALLATION	W
457 mm Model	452.5mm
610 mm Model	605.5 mm
762 mm Model	757.5 mm
914 mm Model	909.5 mm

Custom Panels

DOOR PANEL HEIGHT

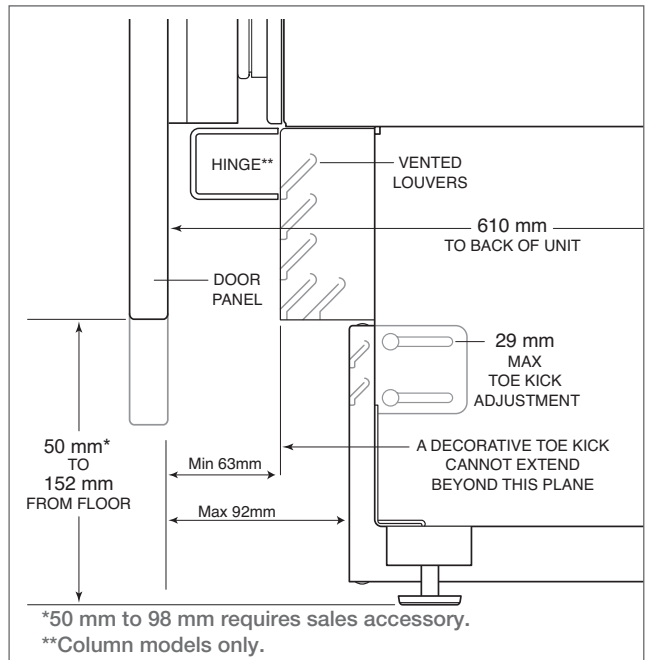
The height of the custom door panel can extend beyond the typical panel height, provided it does not exceed the weight limit. Refer to the illustration below.



Upper valance—column and tall (side view)

TOE KICK CLEARANCE

For indoor models only, the height of the toe kick area can extend beyond the typical toe kick height, provided it does not exceed the dimensions in the illustration below. Toe kick heights from 51 mm to 98 mm require a reduced toe kick accessory available through an authorized Sub-Zero dealer.



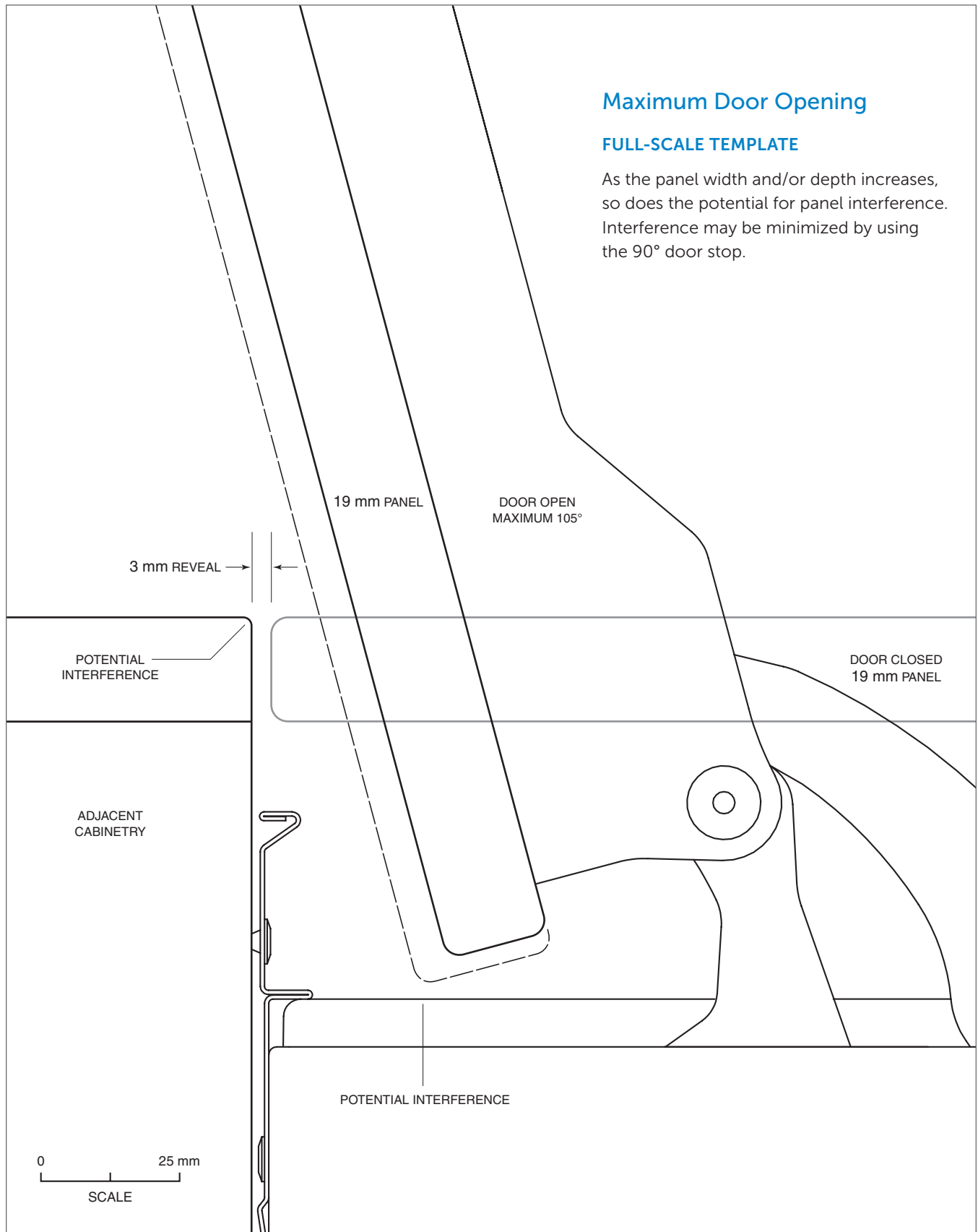
Toe kick (side view)

Standard Handles

Optional stainless steel tubular and pro handles are available through an authorized Sub-Zero dealer.

Refer to the chart below for standard handle lengths for Designer Series models.

HANDLE LENGTH	TUBULAR	PRO
Column Door	1273 mm	1229 mm
Tall Door	845 mm	800 mm
610 mm Drawer	540 mm	495 mm
762 mm Drawer	692 mm	648 mm
914 mm Drawer	845 mm	800 mm



Maximum door opening (top view)

Designer Series Undercounter Refrigeration

The Sub-Zero Designer Series Undercounter Refrigeration is a helpful addition to a master suite, bar, home office, or media room. Choose from an all refrigerator or beverage center. The design flexibility of these compact yet roomy units makes them all the more welcome in any room. They are ready to be fitted with a custom or stainless steel panel.

DESIGNER SERIES UNDERCOUNTER MODELS



ICBDEU2450R



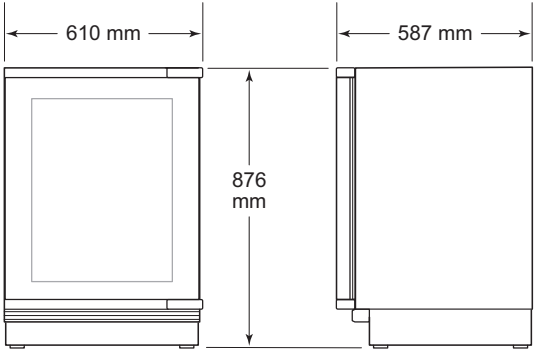
ICBDEU2450BG

Features and specifications are subject to change at any time without notice.

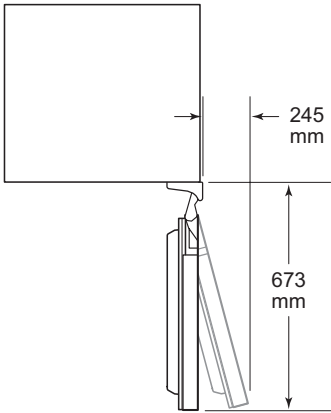
Throughout this guide, dimensions may vary by ± 3 mm.

Overall Dimensions

UNDERCOUNTER MODELS



HEIGHT DIMENSIONS ± 13 mm

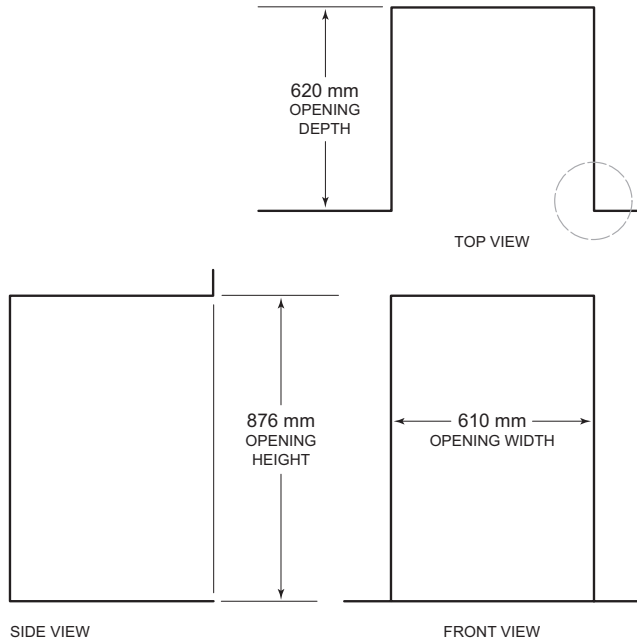


Model ICBDEU2450R, ICBDEU2450BG

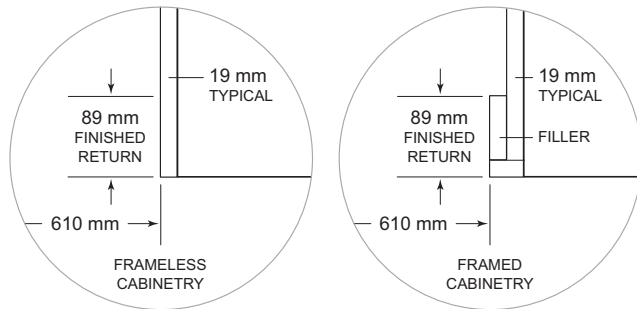
IMPORTANT NOTE: Overall dimensions do not include panels or handles. Dimensions will vary with panel thickness.

Opening Dimensions

UNDERCOUNTER MODELS



NOTE: 89 mm finished returns will be visible and should be finished to match cabinetry.



The depth of each model is 610 mm. Allow for panel thickness when planning the finished opening depth. A minimum 89 mm finished return is required on all sides of the opening. Framed cabinets will require additional finished filler material behind the face frame for a proper installation. Refer to the illustration.

Dual Installation

When installing two units side by side in a dual installation, the opening width is the width of the two units added together. A dual installation kit will be required for this installation. If a dual installation kit is not specified, a minimum 51 mm filler strip is required between the units.

Dual installation kits are available through an authorized Sub-Zero dealer. For questions regarding the installation, contact your authorized Sub-Zero dealer.

DUAL OPENING WIDTH

W

Two 610 mm Models

1222 mm

Dual installation kit required.

Electrical Requirements

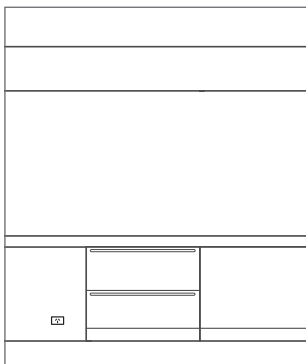
Installation must comply with all applicable electrical codes.

International models from the factory require a 220-240 V AC, 50/60 Hz electrical supply, fused at the correct rating for the unit.

The electrical supply should be easily accessible and positioned in an adjacent cabinet.

ELECTRICAL REQUIREMENTS

Power Supply	220-240 V AC, 50/60 Hz
Circuit Breaker	10 amp
Receptacle	grounding-type (earthed)



Designer Series.
Undercounter model.
Location of power.

Custom Panel

For all models excluding stainless steel, a door panel and handle must be provided. Refer to the panel requirements and custom panel dimensions charts.

Do not install a solid panel on a glass door unit. A solid door is available as a sales accessory and must be installed if a solid panel is specified. Service may be required to install the door. Contact an authorized Sub-Zero dealer for more information. Overall dimensions are the same for glass and solid door panels.

Finish all sides of the custom panel. They may be visible when the door is open or through the window of a glass door model.

A D-style handle is recommended. Locate the door handle near the edge of the panel opposite the hinge and centered top to bottom. Stainless steel tubular and pro handles are available through an authorized Sub-Zero dealer.

⚠ CAUTION

As reveals between cabinetry and the unit decrease, severe finger pinching can occur while the door is closing.

Designer Series Undercounter Refrigeration

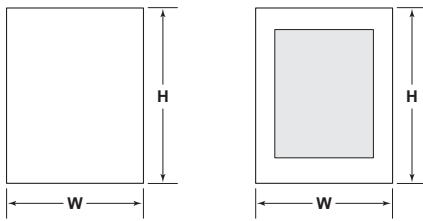
Custom Panel

The panel cannot exceed the maximum panel weight indicated in the chart below. The depth of each model is 587 mm.

PANEL REQUIREMENTS

Panel Weight	10 kg max
Panel Thickness	16 mm min – 19 mm max

TYPICAL PANEL DIMENSIONS



PANEL DIMENSIONS

MODEL	W	H
ICBDEU2450R	604 mm	772 mm
ICBDEU2450BG	604 mm	772 mm

STILES / RAILS*	MIN
Stiles	83 mm
Top Rail	89 mm
Bottom Rail	114 mm

*Model ICBDEU2450BG.

DUAL INSTALLATION

For dual installations, refer to the chart below for typical panel dimensions.

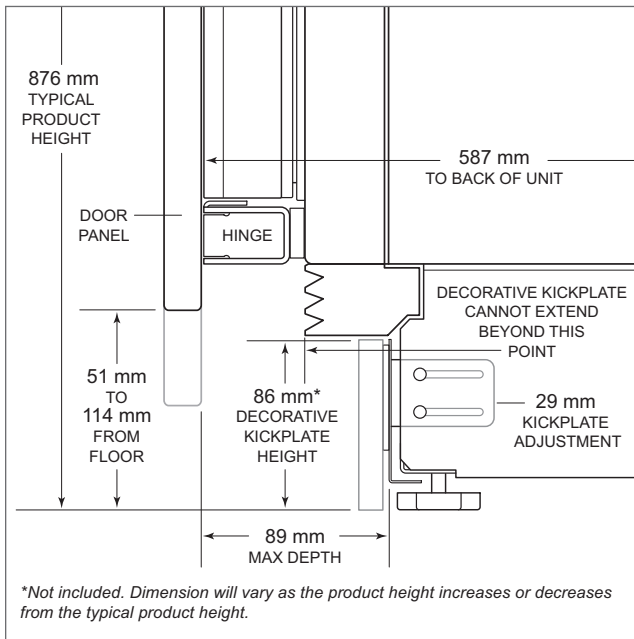
PANEL DIMENSIONS—DUAL INSTALLATION

MODEL	W	H
ICBDEU2450R	605 mm	772 mm
ICBDEU2450BG	605 mm	772 mm

Custom Panel

TOE KICK CLEARANCE

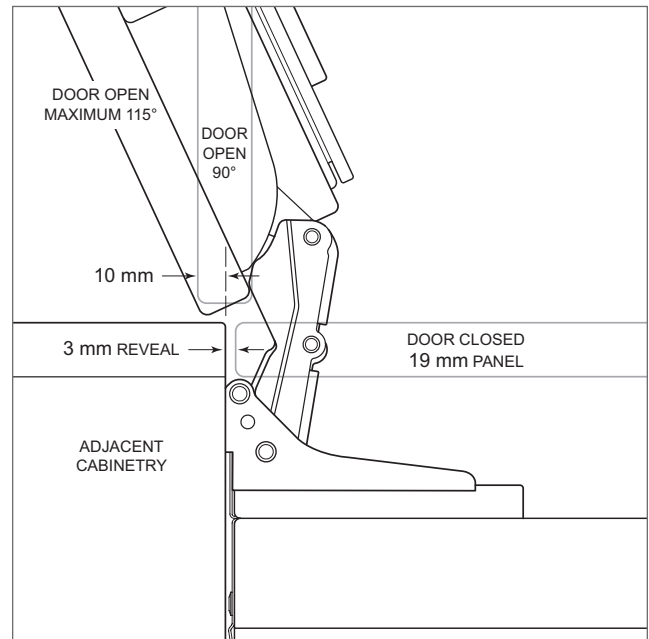
The height of the toe kick area can extend beyond the typical toe kick height, provided it does not exceed the dimensions in the illustration below.



Toe kick clearance (side view)

MAXIMUM DOOR OPENING

As the panel width and/or depth increases, so does the potential for panel interference. Interference may be minimized by using the 90° door stop.



Maximum door opening (top view)

Standard Handles

Optional stainless steel tubular and pro handles are available through an authorized Sub-Zero dealer. Refer to the chart below for standard handle lengths.

HANDLE LENGTH	TUBULAR	PRO
ICBDEU2450R	614 mm	572 mm
ICBDEU2450BG	614 mm	572 mm

Sub-Zero, Sub-Zero & Design, Sub-Zero & Snowflake Design, Dual Refrigeration, The Living Kitchen, Great American Kitchens The Fine Art of Kitchen Design, Wolf, Wolf & Design, Wolf Gourmet, W & Design, red colored knobs, Cove, and Cove & Design are registered trademarks and service marks of Sub-Zero Group, Inc. and its subsidiaries. All other trademarks are property of their respective owners in the United States and other countries.

Sub-Zero International Limited Warranty

FOR RESIDENTIAL USE

These Warranty Terms and Conditions ('Warranty') constitute your agreement with Sub-Zero Group Australia Pty Ltd (ACN 610 807 899) ('Sub-Zero') and will apply to your service order. The benefits given by this Warranty are in addition to all consumer guarantees and other rights and remedies prescribed by the Australian Consumer Law and any other applicable laws.

Our products come with guarantees that cannot be excluded under the Australian Consumer Law. You are entitled to a replacement or refund for a major failure and compensation for any other reasonably foreseeable loss or damage. You are also entitled to have the goods repaired or replaced if the goods fail to be of acceptable quality and the failure does not amount to a major failure.

In addition to your rights and remedies under the Australian Consumer Law, Sub-Zero provides customers with a Warranty where, if any part of a Sub-Zero Product is found upon inspection by an authorised Sub-Zero representative or an associated licensed technician supplied by either Sub-Zero or a relevant approved supplier (including a Sub-Zero factory certified service) ('Service Representative') to be defective in materials or workmanship, Sub-Zero will repair or replace the part free of charge as follows:

FULL TWO YEAR WARRANTY* (**Outdoor product full one year warranty)

For two years from the date of original installation, this Sub-Zero product warranty covers all parts and labour to repair or replace, under normal residential use, any part of the product that proves to be defective in materials or workmanship. All service provided by Sub-Zero under the above warranty must be performed by Sub-Zero factory certified service, unless otherwise specified by Sub-Zero, Inc. Where the Service Representative is unable to identify any fault in the product, Sub-Zero may require the consumer to provide proof that the product is defective. For the avoidance of doubt, defective products or parts become Sub-Zero's property. Service will be provided during normal business hours.

FULL FIVE YEAR SEALED SYSTEM WARRANTY*

For five years from the date of original installation, this Sub-Zero product warranty covers all parts and labour to repair or replace, under normal residential use, these parts that prove to be defective in materials or workmanship: compressor, condenser, evaporator, drier and all connecting tubing. All service provided by Sub-Zero under the above warranty must be performed by Sub-Zero factory certified service, unless otherwise specified by Sub-Zero, Inc. Where the Service Representative is unable to identify any fault in the product, Sub-Zero may require the consumer to provide proof that the product is defective. For the avoidance of doubt, defective products or parts become Sub-Zero's property. Service will be provided during normal business hours.

TERMS APPLICABLE TO EACH WARRANTY*

The warranty applies only to products installed for normal residential use. This warranty does not cover any parts or labour to correct any defect caused by negligence, accident or improper use, maintenance, installation, service or repair.

CLAIM PROCEDURE*

In order to claim the Warranty, you must cease using the product when a fault arises, contact Sub-Zero or authorised Sub-Zero dealer where the product was purchased to report the issue and follow Sub-Zero's directions regarding what to do next. Sub-Zero's general contact details are as follows:

Sub-Zero Group Australia
11-19 Bank Place
Melbourne VIC 3000
Phone: 03 9600 2218 Email: serviceAU@subzero.com

CLAIM PROCEDURE*

Except to the extent required by law, all consumer guarantees, representations, warranties, terms and conditions in relation to the products (whether implied or otherwise) are hereby excluded to the maximum extent permitted by law.

To the fullest extent permitted by law, Sub-Zero excludes all liability for damage or injury to any person, damage to any property and any indirect consequential or other loss or damage.

*Stainless steel (doors, panels, handles, product frames and interior surfaces) are covered by a limited 60-day parts and labour warranty for cosmetic defects.

*Replacement water filters and air purification cartridges are not covered by the product warranty.

**Full one year warranty applies to outdoor product. Product must be approved for outdoor use, designated by model and serial number.



